



Zippie IRIS (Transit Optional) October 2010

EIZ5A

Date: _____ Dealer Acct #: _____ Dealer: _____ Dealer Contact: _____ Dealer Address: _____ Dealer City: _____ ST: _____ ZIP: _____ Dealer Phone: () _____ Fax: () _____ Confirm Via: <input type="checkbox"/> Email <input type="checkbox"/> Fax <input type="checkbox"/> Phone	SHIPPING INFORMATION PO#: _____ Ship To: _____ Attention: _____ Address: _____ Address: _____ Ship To City: _____ ST: _____ ZIP: _____ Ship To Phone: () _____ Fax: () _____ Confirmation Email: _____
--	---

Mark For: _____

*The HCPCS CODES provided are based on code verification through PDAC or our interpretation of the code definitions.
The use of HCPCS CODES does not ensure coverage or payment. For coverage information, verify the appropriate payer's coverage policy.*

✓	Option #	HCPCS	Definition	Price	✓	Option #	HCPCS	Definition	Price
---	----------	-------	------------	-------	---	----------	-------	------------	-------

Zippie IRIS (Transit Optional)

<input type="checkbox"/>	188WM47	E1233	Std. Base and Seat Frame Includes True fit Growth	\$1,865.00
--------------------------	---------	-------	--	------------

1. FRAME STYLE

<input type="checkbox"/>	188FT46		Contracture Seat Frame (Not Avail. w/10" Frame Depth)	N/C	<input type="checkbox"/>	188FS29		Battery Tray (Not avail. w/ 10" & 11" frame widths or foot wheel lock)	\$295.00
--------------------------	---------	--	---	-----	--------------------------	---------	--	--	----------

2. TRANSIT SYSTEM

<input type="checkbox"/>	188TO22		Transit Optional	\$150.00
--------------------------	---------	--	------------------	----------

3. TILT RELEASE OPTIONS

<input type="checkbox"/>	188TT8		Foot Release - No Cables (Not Avail. w/ Vent and Battery Tray) <input type="checkbox"/> Left <input type="checkbox"/> Right (facing from rear)	NC	<input type="checkbox"/>	188TT12		Dual Trigger Cable Release	NC
--------------------------	--------	--	---	----	--------------------------	---------	--	----------------------------	----

4. PRE-SET TILT ANGLE

55° Range (Not Available with Reclining Backrest)				
<input type="checkbox"/>	188TA5		-5° to 50° (Not available. with 12.5" STFH.)	NC
<input type="checkbox"/>	188TA6		0° to 55°	STD
<input type="checkbox"/>	188TA7		+5° to 60°	NC

40° Range				
<input type="checkbox"/>	188TA8		-5° to 35° (Not available with 12.5" STFH.)	NC
<input type="checkbox"/>	188TA9		0° to 40°	STD
<input type="checkbox"/>	188TA10		+5° to 45°	NC

Mark For: _____

The **HCPCS CODES** provided are based on code verification through PDAC or our interpretation of the code definitions.
 The use of **HCPCS CODES** does not ensure coverage or payment. For coverage information, verify the appropriate payer's coverage policy.

✓	Option #	HCPCS	Definition	Price	✓	Option #	HCPCS	Definition	Price
---	----------	-------	------------	-------	---	----------	-------	------------	-------

5. FRAME COLOR

Standard Colors			
<input type="checkbox"/>	188C2	Black (Not avail as base w/Zebra)	NC
<input type="checkbox"/>	188C10	Black Opal	NC
<input type="checkbox"/>	188C38	Blue Opal	NC
<input type="checkbox"/>	188C36	Candy Blue	NC
<input type="checkbox"/>	188C35	Candy Red	NC
<input type="checkbox"/>	188C128	Copper	NC
<input type="checkbox"/>	188C6	Forest Green	NC
<input type="checkbox"/>	188C127	Fuchsia	NC
<input type="checkbox"/>	188C126	Glow	NC
<input type="checkbox"/>	188C4	Midnight Purple	NC

<input type="checkbox"/>	188C5	Pearl Pink	NC
<input type="checkbox"/>	188C103	Rootbeer	NC
<input type="checkbox"/>	188C114	Sparkle Silver	NC
<input type="checkbox"/>	188C11	Toxic Green	NC
<input type="checkbox"/>	188C8	Yellow	NC

Custom Colors			
<input type="checkbox"/>	188C43	Mossy Oak Camouflage	\$295.00
<input type="checkbox"/>	188C42	Stars and Stripes	\$295.00
<input type="checkbox"/>	188C108	Zebra (Choose base color above: White Std, n/a black)	\$295.00

6. FRAME WIDTH

<input type="checkbox"/>	188W1	10"	NC
<input type="checkbox"/>	188W2	11"	NC
<input type="checkbox"/>	188W3	12"	NC
<input type="checkbox"/>	188W4	13"	NC
<input type="checkbox"/>	188W5	14"	STD

<input type="checkbox"/>	188W6	15"	NC
<input type="checkbox"/>	188W7	16"	NC
<input type="checkbox"/>	188W8	17"	NC
<input type="checkbox"/>	188W9	18"	NC

7. FRAME DEPTH

(Choose Selections from A OR B)

Selection A: Frame Depth Set up By Zippie

Desired Seat Depth

10" 11" 12" 13" 14"

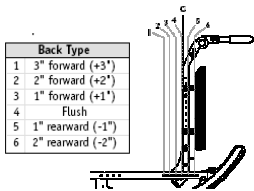
15" 16" 17" 18"

Back Type

3" 2" 1"

Flush -1" -2"

This section determines frame length

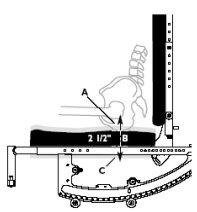


Top of Cushion to Seat Rail

2 1/2" or Greater

Less than 2 1/2" (STD)

Below Seat Rail



Selection B: Frame Depth Range			
<input type="checkbox"/>	188SN01	Short Seat Frame 10"-14"	NC
<input type="checkbox"/>	188SN02	Medium Seat Frame 12"-16"	NC
<input type="checkbox"/>	188SN03	Long Seat Fram 14"-18"	NC

Selection B: Frame Depth			
<input type="checkbox"/>	188FD1	10" recommended w/ Short Seat Frame. Not avail. with Contracture Footrest System	NC
<input type="checkbox"/>	188FD2	11" recommended w/ Short Seat Frame.	NC
<input type="checkbox"/>	188FD3	12" rec. w/ Short Seat Frame	NC
<input type="checkbox"/>	188FD4	13" rec. w/ Med. Seat Frame	NC
<input type="checkbox"/>	188FD5	14" rec. w/ Med. Seat Frame	NC
<input type="checkbox"/>	188FD6	15" rec. w/ Med. Seat Frame	NC
<input type="checkbox"/>	188FD7	16" rec. w/ Long Seat Frame	NC
<input type="checkbox"/>	188FD8	17" rec. w/ Long Seat Frame	NC
<input type="checkbox"/>	188FD9	18" rec. w/ Long Seat Frame	NC

Mark For:

The **HCPCS CODES** provided are based on code verification through PDAC or our interpretation of the code definitions.
The use of **HCPCS CODES** does not ensure coverage or payment. For coverage information, verify the appropriate payer's coverage policy.

✓	Option #	HCPCS	Definition	Price	✓	Option #	HCPCS	Definition	Price
---	----------	-------	------------	-------	---	----------	-------	------------	-------

8. SEATING

Seats				
<input type="checkbox"/>	188ST35	E2231	Seat Pan-Growable (Fig. 8.1)	\$105.00
<input type="checkbox"/>	188ST36	E2231	Drop Seat Pan (Not avail. w/10" frame depth)	\$105.00
<input type="checkbox"/>	188ST54		Omit Seat Pan	Std

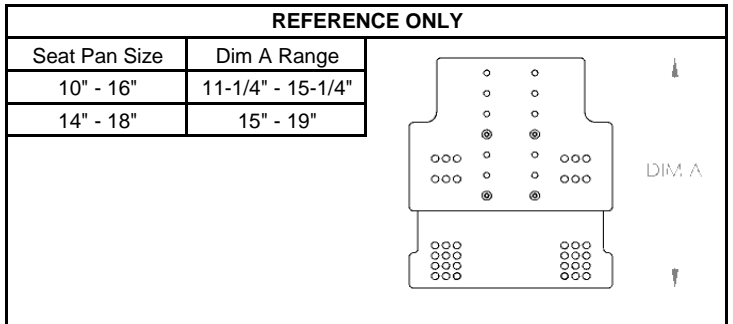
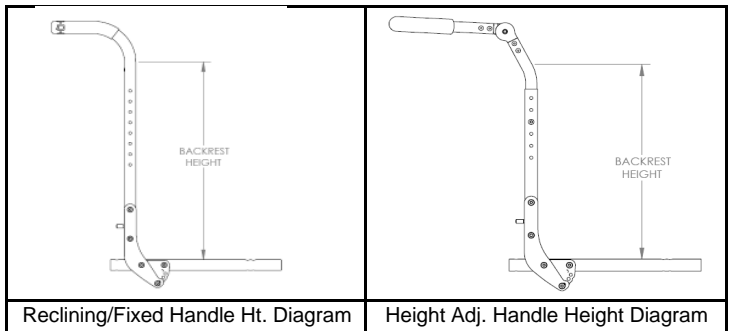


Figure 8.1 - Frame Depth Growth Range Matrix

9. STROLLER HANDLE BACK POSTS - BACK RESTS

Fixed Height			
<input type="checkbox"/>	188BP9	Low (19" Ht)	NC
<input type="checkbox"/>	188BP10	Medium (22" Ht)	NC
<input type="checkbox"/>	188BP11	Tall (25" Ht)	NC
<input type="checkbox"/>	188BP13	Removable Extension	\$85.00
<input type="checkbox"/>	188RG1	Folding Adjustable Rigidizer	\$175.00

Height Adjustable			
<i>Rigid Frame w/ Angle Adjust Push Handle</i>			
<input type="checkbox"/>	188B170	Std. (16"-22" Height.)	NC
<input type="checkbox"/>	188PH8	<i>Std. Angle Adj. Push Handle Lgth</i>	NC
<input type="checkbox"/>	188PH9	<i>Long Angle Adj. Push Handle Length</i>	NC
<input type="checkbox"/>	188B171	Tall (19"-25" Height.)	NC
<input type="checkbox"/>	188PH8	<i>Std. Angle Adj. Push Handle Lgth</i>	NC
<input type="checkbox"/>	188PH9	<i>Long Angle Adj. Push Handle Length</i>	NC



Reclining Backrest (only available with 40° Tilt Range)				
<input type="checkbox"/>	188B172	E1225	Medium (21" Height)	\$850.00
<input type="checkbox"/>	188B173	E1225	Tall (24" Height)	\$850.00

10. ARMRESTS

Armrest and Armpad - Height Adjustable				
<i>Dual Post not available with 0 - 13" deep or with 14 - 15" deep seat pan</i>				
<input type="checkbox"/>	188AA12	E0973	T-Post Regular w/Foam	NC
<input type="checkbox"/>	188AA13	E0973	T-Post Tall w/Foam	NC
<input type="checkbox"/>	188AA3	E0973	Flip-Up	NC
<input type="checkbox"/>	188AA1	E0973	Adjustable Locking Flip-Up	\$250.00
<input type="checkbox"/>	188AA7	E0973	Length Adjust. Locking Flip-Up	\$260.00
<input type="checkbox"/>	188AM23		<i>Desk Length (10")</i>	NC
<input type="checkbox"/>	188AM24		<i>Full Length (14")</i>	NC
<input type="checkbox"/>	188AM9		<i>Foam Short (not avail. w/T Post)</i>	NC
<input type="checkbox"/>	188AM10		<i>Foam Long (not avail. w/T Post)</i>	NC
<input type="checkbox"/>	188AA62		Dual Post	NC
<input type="checkbox"/>	188AA63	E0973	Dual Post Height Adjustable	\$250.00
<input type="checkbox"/>	188AA43		Dual Post Flip Back	\$95.00
<input type="checkbox"/>	188AA48	E0973	Dual Post Flip Back Height Adj.	\$275.00

Armrest - Height Adjustable				
<input type="checkbox"/>	188AA11	E0973	Single-Post Height Adj. Std.	\$260.00
<input type="checkbox"/>	188AM23		<i>Desk Classic</i>	NC
<input type="checkbox"/>	188AM21		<i>Desk Contour</i>	NC
<input type="checkbox"/>	188AM24		<i>Full Classic</i>	NC
<input type="checkbox"/>	188AM22		<i>Full Contour</i>	NC
<input type="checkbox"/>	188AA29	E0973	Single-Post Height Adj. Low	\$260.00
<input type="checkbox"/>	188AM23		<i>Desk Classic</i>	NC
<input type="checkbox"/>	188AM21		<i>Desk Contour</i>	NC
<input type="checkbox"/>	188AM24		<i>Full Classic</i>	NC
<input type="checkbox"/>	188AM22		<i>Full Contour</i>	NC

Armrest Receiver for Height Adjustable Armrest				
<input type="checkbox"/>	188AR17		Low	NC
<input type="checkbox"/>	188AR18		Std	NC

Mark For:

The **HCPCS CODES** provided are based on code verification through PDAC or our interpretation of the code definitions.
The use of **HCPCS CODES** does not ensure coverage or payment. For coverage information, verify the appropriate payer's coverage policy.

✓	Option #	HCPCS	Definition	Price	✓	Option #	HCPCS	Definition	Price
			CLASSIC PAD						
			H Range				Pad Length L		
							Desk		Full
		STD	10 3/4" to 15 3/4"			10 1/4"			14"
		LOW	8 3/4" to 13 3/4"						
		LOW	7 1/4" to 11 1/4"						
			CONTOUR PAD						
			H Range				Pad Length L		
							Desk	Full	
		STD	10" to 15"			10 1/2"		14 1/4"	
		LOW	8 1/4" to 12 1/2"						
		STD	8 1/2" to 12 1/2"						
		LOW	6 3/4" to 10 3/4"						

Armrest Matrix for Single Post

11. FOOTRESTS

Hanger Mounted Footrest (Footplates Mount to Hanger Tubing)

Hanger Type				
<input type="checkbox"/>	188H89		70° Swing In/Out Front Mount	NC
<input type="checkbox"/>	188H90		80° Swing In/Out Front Mount	NC
<input type="checkbox"/>	188H91		90° Swing In/Out Front Mount	NC
<input type="checkbox"/>	188H9		70° Hvy Dty Fnt Mount Lift-Off	NC
<input type="checkbox"/>	188H10		80° Hvy Dty Fnt Mount Lift-Off	NC
<input type="checkbox"/>	188H11		90° Hvy Dty Fnt Mount Lift-Off	NC
<input type="checkbox"/>	188H23	E0990	90° Elevating	\$295.00
Extensions (may interfere with some seat heights & casters)				
<input type="checkbox"/>	188E23		2" (not mounted)	\$55.00
<input type="checkbox"/>	188E24		4" (not mounted)	\$55.00
Footplate				
<input type="checkbox"/>	188F9	K0040 K0038	Kids Angle Adjustable w/Leg Strap (not avail. w/17"-18" widths)	\$185.00
<input type="checkbox"/>	188F8	K0040 E0951	Adult Angle Adj. W/Heel Loops (Available with 17"-18" widths)	\$185.00
<input type="checkbox"/>	188F62	K0040 K0038	Footboard w/Leg Strap (Available with 10"-16" widths)	\$150.00

<input type="checkbox"/>	188F4	K0040 K0038	Kids Angle Adjustable w/Leg Strap (not avail. w/17"-18" width)	\$185.00
<input type="checkbox"/>	188F5		Aluminum (Only available with elevating legrests 14"-18")	NC
<input type="checkbox"/>	188F48	K0040 K0038	Platform Flip-Up w/Leg Strap (Avail on 60° 70° and 80° ext. mount hangers only)	\$190.00

Footrest Hanger Options

<input type="checkbox"/>	188IG2		Neoprene Covers (Avail. on 60°/70°/80° ext. mount hangers only)	\$85.00
<input type="checkbox"/>	188A54	K0038	Extra Single Leg Strap	\$30.00
<input type="checkbox"/>	188A110	E0952	Toe Loop (Only avail. w/ adult angle adjust. footplates)	\$40.00
<input type="checkbox"/>	188H32		Omit Hanger	(\$15.00)
<input type="checkbox"/>	188F7		Omit Footplate and Ext. Tube	(\$15.00)
<input type="checkbox"/>	188HL4		Omit Heel Loop	NC
<input type="checkbox"/>	188HL6		Omit Single Leg Strap	NC

Contracture Footrest System (CFS)

Multi-Adj. Padded Hangers & Angle Adj. Aluminum Footrests.
Not Available with Dual Post Armrest.

Ext. Tube Mounted Footrests (Footplates Mount to Ext. Tube)				
Hanger Type				
<input type="checkbox"/>	188H85		60° Swing In/Out	NC
<input type="checkbox"/>	188H86		70° Swing In/Out	STD
<input type="checkbox"/>	188H116		80° Swing In/Out (n/a w/8" Casters)	STD
<input type="checkbox"/>	188H24	K0053	Articulating (not avail. 10"-13")	\$350.00
<input type="checkbox"/>	188H14	E0990	Elevating (Not avail. w/ composite or platform footplates.)	\$295.00
Extensions				
<input type="checkbox"/>	188E1		Short (11.5" - 14")	NC
<input type="checkbox"/>	188E2		Medium (14" - 17") Not avail. w/ Elevating Legrests	NC
<input type="checkbox"/>	188E5		Long (17" - 19")	NC
<input type="checkbox"/>	188E16	K0037	High Mount	\$55.00
Footplate				
<input type="checkbox"/>	188F1		Composite w/Heel Loops (not avail. In 10", 11" or 12" width)	STD
<input type="checkbox"/>	188F3	K0040 E0951	Adult Angle Adjustable W/Heel Loops	\$185.00

<input type="checkbox"/>	188H26		Contracture Footrest System	\$325.00
<input type="checkbox"/>	188FP01		CFS - Center Mount	NC
<input type="checkbox"/>	188FP02		CFS - Outside Mount	NC
<input type="checkbox"/>	188E1		SHORT	NC
<input type="checkbox"/>	188EP1		10.5" Extension Height	NC
<input type="checkbox"/>	188EP2		11.0" Extension Height	NC
<input type="checkbox"/>	188EP3		11.5" Extension Height	NC
<input type="checkbox"/>	188EP4		12.0" Extension Height	NC
<input type="checkbox"/>	188EP5		12.5" Extension Height	NC
<input type="checkbox"/>	188EP6		13.0" Extension Height	NC
<input type="checkbox"/>	188E2		REGULAR	NC
<input type="checkbox"/>	188EP5		12.5" Extension Height	NC
<input type="checkbox"/>	188EP6		13.0" Extension Height	NC
<input type="checkbox"/>	188EP7		13.5" Extension Height	NC
<input type="checkbox"/>	188EP8		14.0" Extension Height	NC
<input type="checkbox"/>	188EP9		14.5" Extension Height	NC
<input type="checkbox"/>	188EP10		15.0" Extension Height	NC

Mark For: _____

The **HCPCS CODES** provided are based on code verification through PDAC or our interpretation of the code definitions.
 The use of **HCPCS CODES** does not ensure coverage or payment. For coverage information, verify the appropriate payer's coverage policy.

✓ Option # HCPCS Definition Price ✓ Option # HCPCS Definition Price

12. CASTERS

Caster Wheel			
<input type="checkbox"/>	188CW31		4" Micro Light Up \$70.00
<input type="checkbox"/>	188CW73		4" x 1.25" Semi-Pneumatic NC
<input type="checkbox"/>	188CW51		5" Micro Light Up \$85.00
<input type="checkbox"/>	188CW5		5" Low-Profile Polyurethane STD
<input type="checkbox"/>	188CW7		5" x 1.5" Semi-Pneumatic \$85.00
<input type="checkbox"/>	188CW33	E2214 E2215	6" Pneumatic \$75.00
<input type="checkbox"/>	188CW34		6" Polyurethane NC
<input type="checkbox"/>	188CW35		6" x 1.5" Semi-Pneumatic \$85.00
<input type="checkbox"/>	188CW21	E2214 E2215	8" Pneumatic \$75.00
<input type="checkbox"/>	188CW32		8" Polyurethane NC
<input type="checkbox"/>	188CW39		8" x 1.5" Semi-Pneumatic \$85.00
<input type="checkbox"/>	188CW36	E2214 E2215	8" x 2" Pneumatic \$145.00
<input type="checkbox"/>	188CW37	E2217	8" x 2" Pneumatic w/Airless Insert \$225.00

Rear Wheel Size	CASTER SIZE					
	○ 4	○ 5	○ 6	○ 8x1	○ 8x1.5	○ 8x2
○ 12	○ 12.5	○ 16.0	○ 16.0			
		○ 16.5	○ 16.5		○ 16.5	
		○ 17.0	○ 17.0	○ 17.0	○ 17.0	○ 17.0
		○ 17.5		○ 17.5	○ 17.5	
○ 12 Low Poly		○ 15.0	○ 15.0			
		○ 15.5	○ 15.5			
		○ 16.0	○ 16.0			
○ 16		○ 16.5		○ 16.5	○ 16.5	○ 16.5
		○ 13.5				
		○ 14.0	○ 14.5			
		○ 14.5	○ 17.0	○ 17.5	○ 17.5	
		○ 17.5	○ 17.5	○ 18.0	○ 18.0	○ 18.0
		○ 18.0	○ 18.0	○ 18.5	○ 18.5	
○ 20		○ 18.5	○ 18.5		○ 19.0	○ 19.0
		○ 15.5	○ 16.0			
		○ 16.0	○ 16.5	○ 16.5	○ 16.5	○ 16.5
○ 22		○ 16.5	○ 17.0	○ 17.0	○ 17.0	○ 17.0
		○ 17.0	○ 16.5		○ 16.5	
		○ 17.5	○ 17.0	○ 17.0	○ 17.0	○ 17.0
		○ 18.0	○ 17.5	○ 17.5	○ 17.5	
○ 24			○ 18.0	○ 18.0	○ 18.0	○ 18.0
			○ 17.0		○ 17.5	
		○ 17.5	○ 17.5	○ 18.0	○ 18.0	○ 18.0
		○ 18.0	○ 18.0	○ 18.5	○ 18.5	

13. AXLES AND WHEELS

One Arm Drive			
<input type="checkbox"/>	188AL17	E0958	One Arm Drive (Avail. w/ 20", 22", 24" Mag Rear Wheels) \$850.00
<input type="checkbox"/>	188OA2		Standard Handrim NC
<input type="checkbox"/>	188HM1		<i>Right</i> NC
<input type="checkbox"/>	188HM2		<i>Left</i> NC
<input type="checkbox"/>	188OA1		Small Handrim NC
<input type="checkbox"/>	188HM1		<i>Right</i> NC
<input type="checkbox"/>	188HM2		<i>Left</i> NC

Axle			
<input type="checkbox"/>	188AX26		One Arm Drive Axle (Only avail. w/One Arm Drive Option) STD
<input type="checkbox"/>	188AX1		<i>Quick Release</i> NC
<input type="checkbox"/>	188AX11		Quad Quick Release (not available with Lite Spokes) \$90.00

Rear Wheel Size			
<input type="checkbox"/>	188RW13		12" Mag (Not available with handrims) STD
<input type="checkbox"/>	188RW52		16" Mag (Not available with handrims) \$40.00
<input type="checkbox"/>	188RW3		20" Mag NC
<input type="checkbox"/>	188RW8		22" Mag NC
<input type="checkbox"/>	188RW1		24" Mag NC
<input type="checkbox"/>	188RW90		20" Lite Spoke \$200.00
<input type="checkbox"/>	188RW91		22" Lite Spoke \$200.00
<input type="checkbox"/>	188RW54		24" Lite Spoke \$100.00

Mark For: _____

The **HCPCS CODES** provided are based on code verification through PDAC or our interpretation of the code definitions.
 The use of **HCPCS CODES** does not ensure coverage or payment. For coverage information, verify the appropriate payer's coverage policy.

✓	Option #	HCPCS	Definition	Price	✓	Option #	HCPCS	Definition	Price
---	----------	-------	------------	-------	---	----------	-------	------------	-------

13. AXLES AND WHEELS - CONT.

Rear Wheel Tire

<input type="checkbox"/>	188RT1	E2211 E2212	Pneumatic	NC
<input type="checkbox"/>	188RT2	E2211 E2213	Pneumatic Airless Insert	\$80.00
<input type="checkbox"/>	188RT3		Full Polyurethane (Not avail.w/ 12" & 16" rear wheels)	NC
<input type="checkbox"/>	188RT4		Low Polyurethane (Only available with 12" wheels)	NC
<input type="checkbox"/>	188RT8	E2211 E2212	Kevlar (Only available with 24" wheels)	\$95.00

Handrim

<input type="checkbox"/>	188HR1		Aluminum Anodized	NC
<input type="checkbox"/>	188HR4		Plastic Coated	\$95.00
<input type="checkbox"/>	188HR7		Omit (Not available with wheel/axle credit)	NC

Projections (Not Available on Plastic Coated)

Only available with 24" wheels & not available with spoke guards.

<input type="checkbox"/>	188HR8		8 Oblique	\$240.00
--------------------------	--------	--	-----------	----------

Hub Lock

**Only available with 12" or 16" wheels. Not available w/one arm drive.*

<input type="checkbox"/>	188LK01		12" Hub Lock	\$100.00
<input type="checkbox"/>	188LK02		16" Hub Lock	\$100.00

Wheel Lock

Not available with Hub Lock

<input type="checkbox"/>	188WL34		High Mount Push	NC
<input type="checkbox"/>	188WL36		Foot Lock	NC
<input type="checkbox"/>	188WL10		Omit	NC

Extension Handle

<input type="checkbox"/>	188EH1	E0961	6" Pair	\$75.00
--------------------------	--------	-------	---------	---------

Anti-Tip

<input type="checkbox"/>	188AT1	E0971	Rear Anti-Tip	\$135.00
--------------------------	--------	-------	---------------	----------

14. ACCESSORIES

Back Pack

<input type="checkbox"/>	188A1		Utility Backpack - Black	\$55.00
<input type="checkbox"/>	188A7		Kids Black Backpack	\$50.00

Seat Pouch

<input type="checkbox"/>	188A8		Black	\$45.00
--------------------------	-------	--	-------	---------

Miscellaneous

<input type="checkbox"/>	188A83		Tool Kit	\$45.00
--------------------------	--------	--	----------	---------

Positioning Belt

<input type="checkbox"/>	188A112	E0978	1" Dual Pull Side Squeeze Padded	\$85.00
<input type="checkbox"/>	188A12	E0978	Belt 2" Aircraft Buckle	\$110.00
<input type="checkbox"/>	188A13	E0978	Belt 2" Aircraft Buckle Padded	\$120.00
<input type="checkbox"/>	188A141	E0978	Belt 1.5" Auto Buckle w/Clamps	\$70.00

Spoke Guard

(Not available with 12" & 16" rear wheels & Projections Handrims)

<input type="checkbox"/>	188A23	K0065	Black	\$115.00
<input type="checkbox"/>	188A303	K0065	Clear Zippie	\$115.00

Upper Extremity Support Tray

<input type="checkbox"/>	188A29	E0950	X-Sm (Suggested 10"-12" Width)	\$250.00
<input type="checkbox"/>	188A30	E0950	Sm (Suggested 13"-14" Width)	\$250.00
<input type="checkbox"/>	188A31	E0950	Med (Suggested 15"-17" Width)	\$250.00
<input type="checkbox"/>	188A32	E0950	Lrg (Suggested 18"-20" Width)	\$250.00

Side Guard

(Not available with height adjustable armrests or T Posts)

<input type="checkbox"/>	188SG33		Plastic Std	\$125.00
<input type="checkbox"/>	188SG29		Plastic Low	\$125.00