



Zippie 2 (Transit Optional) October 2010

EZZ

Date: _____ Dealer Acct #: _____ Dealer: _____ Dealer Contact: _____ Dealer Address: _____ Dealer City: _____ ST: _____ ZIP: _____ Dealer Phone: () _____ Fax: () _____ Confirm Via: <input type="checkbox"/> Email <input type="checkbox"/> Fax <input type="checkbox"/> Phone	SHIPPING INFORMATION PO#: _____ Ship To: _____ Attention: _____ Address: _____ Address: _____ Ship To City: _____ ST: _____ ZIP: _____ Ship To Phone: () _____ Fax: () _____ Confirmation Email: _____
--	---

Mark For: _____

*The HCPCS CODES provided are based on code verification through PDAC or our interpretation of the code definitions.
The use of HCPCS CODES does not ensure coverage or payment. For coverage information, verify the appropriate payer's coverage policy.*

✓	Option #	HCPCS	Definition	Price	✓	Option #	HCPCS	Definition	Price
---	----------	-------	------------	-------	---	----------	-------	------------	-------

Zippie 2 (Transit Optional)

1. FRAME STYLE

<input type="checkbox"/>	022WM02	E1238	Zippie 2 - Transit Optional	\$1,499.00
--------------------------	---------	-------	-----------------------------	------------

2. TRANSIT SYSTEM

<input type="checkbox"/>	022TO19		Transit Optional Seating (Req. Selection of Seat & Back)	\$150.00	<input type="checkbox"/>	022TO16		Transit Opt. w/ Conv. Seating	\$150.00
<input type="checkbox"/>	022TO13		Transit Optional w/o Seating	\$150.00	<input type="checkbox"/>	022TO17		Transit Opt. with Fit Seating	\$150.00
<input type="checkbox"/>	022TO15		Transit Omit	\$0					

3. FRAME COLOR

Standard Colors			
<input type="checkbox"/>	022C2	Black (Not avail as base w/Zebra)	NC
<input type="checkbox"/>	022C10	Black Opal	NC
<input type="checkbox"/>	022C38	Blue Opal	NC
<input type="checkbox"/>	022C36	Candy Blue	NC
<input type="checkbox"/>	022C35	Candy Red	NC
<input type="checkbox"/>	022C128	Copper	NC
<input type="checkbox"/>	022C6	Forest Green	NC
<input type="checkbox"/>	022C127	Fuchsia	NC
<input type="checkbox"/>	022C126	Glow	NC
<input type="checkbox"/>	022C4	Midnight Purple	NC

<input type="checkbox"/>	022C5	Pearl Pink	NC
<input type="checkbox"/>	022C103	Rootbeer	NC
<input type="checkbox"/>	022C114	Sparkle Silver	NC
<input type="checkbox"/>	022C11	Toxic Green	NC
<input type="checkbox"/>	022C8	Yellow	NC

Custom Colors			
<input type="checkbox"/>	022C43	Mossy Oak Camouflage	\$295.00
<input type="checkbox"/>	022C42	Stars and Stripes	\$295.00
<input type="checkbox"/>	022C108	Zebra (Choose base color above: White Std, n/a black)	\$295.00

4. FRAME WIDTH

<input type="checkbox"/>	022W3	12"	NC
<input type="checkbox"/>	022W4	13"	NC
<input type="checkbox"/>	022W5	14"	STD

<input type="checkbox"/>	022W6	15"	NC
<input type="checkbox"/>	022W7	16"	NC

Mark For: _____

The **HCPCS CODES** provided are based on code verification through PDAC or our interpretation of the code definitions.
 The use of **HCPCS CODES** does not ensure coverage or payment. For coverage information, verify the appropriate payer's coverage policy.

✓	Option #	HCPCS	Definition	Price	✓	Option #	HCPCS	Definition	Price
---	----------	-------	------------	-------	---	----------	-------	------------	-------

5. FRAME DEPTH AND BACK POST LOCATION

<input type="checkbox"/>	022FL1	Kids (12" - 16")	NC
<input type="checkbox"/>	022FD3	12"	NC
<input type="checkbox"/>	022FD4	13"	NC
<input type="checkbox"/>	022FD5	14"	STD
<input type="checkbox"/>	022FD6	15"	NC
<input type="checkbox"/>	022FD7	16"	NC

<input type="checkbox"/>	022FL9	Regular (12" - 18")	NC
<input type="checkbox"/>	022FD3	12"	NC
<input type="checkbox"/>	022FD4	13"	NC
<input type="checkbox"/>	022FD5	14"	STD
<input type="checkbox"/>	022FD6	15"	NC
<input type="checkbox"/>	022FD7	16"	NC
<input type="checkbox"/>	022FD8	17"	NC
<input type="checkbox"/>	022FD9	18"	NC

6. SEATING

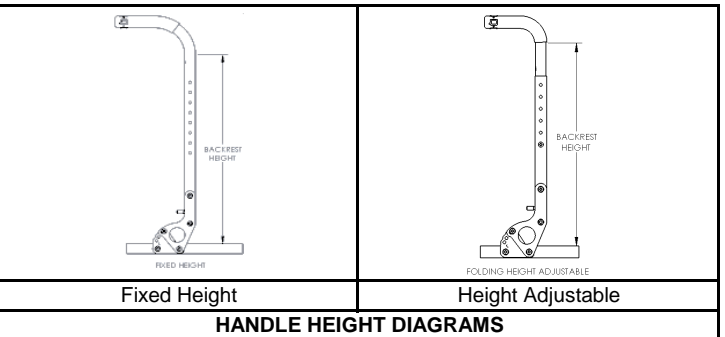
Seats			
<input type="checkbox"/>	022ST28	For use w/ Conv. Seat (Seating not incl. Attach seating OF)	See OF
<input type="checkbox"/>	022ST29	For use w./Jay Fit Seat (Seating not incl. Attach Seating OF)	See OF
<input type="checkbox"/>	022ST16	Solid Seat/Back	\$200.00
<input type="checkbox"/>	022B3	Short (12")	N/C
<input type="checkbox"/>	022B7	Medium (14")	N/C
<input type="checkbox"/>	022B11	Tall (16")	N/C
<input type="checkbox"/>	022ST27	Omit Solid Seat/Back	NC

Backs			
<input type="checkbox"/>	022BT40	For use w/ Conv. Back (Seating not incl. Attach seating OF)	See OF
<input type="checkbox"/>	022BT41	For use w./Jay Fit Back (Seating not incl. Attach Seating OF)	See OF

7. STROLLER HANDLE BACK POSTS FOR ADAPTIVE SEATING - BACK RESTS

Fixed Height			
<input type="checkbox"/>	022BP9	Low (19" Ht)	NC
<input type="checkbox"/>	022BP10	Medium (22" Ht)	NC
<input type="checkbox"/>	022BP11	Tall (25" Ht)	NC
<input type="checkbox"/>	022BP13	Removable Extension	\$85.00
<input type="checkbox"/>	022RG1	Folding Adjustable Rigidizer	\$175.00

Height Adjustable			
Folding Frame with Push Handle			
<input type="checkbox"/>	022B180	Std. (17"-23" Height.)	NC
<input type="checkbox"/>	022BP47	Swing Away Handle	\$55.00
<input type="checkbox"/>	022B181	Tall (20"-26" Height.)	NC
<input type="checkbox"/>	022BP47	Swing Away Handle	\$55.00



HANDLE HEIGHT DIAGRAMS

8. ARMRESTS

Armrest and Armpad - Height Adjustable			
<input type="checkbox"/>	022AA12	E0973 T-Post Regular w/Foam	NC
<input type="checkbox"/>	022AA13	E0973 T-Post Tall w/Foam	NC
<input type="checkbox"/>	022AA3	E0973 Flip-Up	NC
<input type="checkbox"/>	022AA1	E0973 Adjustable Locking Flip-Up	\$250.00
<input type="checkbox"/>	022AA7	E0973 Length Adjust. Locking Flip-Up	\$260.00
<input type="checkbox"/>	022AM23	Desk Length (10")	NC
<input type="checkbox"/>	022AM24	Full Length (14")	NC
<input type="checkbox"/>	022AM9	Foam Short (not avail. w/T Post)	NC
<input type="checkbox"/>	022AM10	Foam Long (not avail. w/T Post)	NC

Armrest - Height Adjustable			
<input type="checkbox"/>	022AA11	E0973 Single-Post Height Adj. Std.	\$260.00
<input type="checkbox"/>	022AM23	Desk Classic	NC
<input type="checkbox"/>	022AM21	Desk Contour	NC
<input type="checkbox"/>	022AM24	Full Classic	NC
<input type="checkbox"/>	022AM22	Full Contour	NC
<input type="checkbox"/>	022AA29	E0973 Single-Post Height Adj. Low	\$260.00
<input type="checkbox"/>	022AM23	Desk Classic	NC
<input type="checkbox"/>	022AM21	Desk Contour	NC
<input type="checkbox"/>	022AM24	Full Classic	NC
<input type="checkbox"/>	022AM22	Full Contour	NC

Mark For: _____

The **HCPCS CODES** provided are based on code verification through PDAC or our interpretation of the code definitions.
The use of **HCPCS CODES** does not ensure coverage or payment. For coverage information, verify the appropriate payer's coverage policy.

✓	Option #	HCPCS	Definition	Price	✓	Option #	HCPCS	Definition	Price
---	----------	-------	------------	-------	---	----------	-------	------------	-------

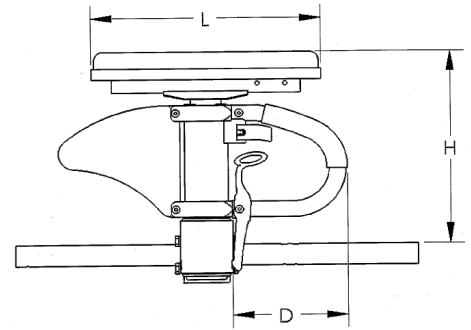
8. ARMRESTS (Cont.)

Armrest Receiver for Height Adjustable Armrest

<input type="checkbox"/>	022AR17		Low	NC
<input type="checkbox"/>	022AR18		Std	NC

Armrest Size	Transfer Tube Length D	Receiver	CLASSIC PAD		
			H Range	Pad Length L	
				Desk	Full
STD	8"	STD	10 3/4" to 15 3/4"	10 1/4"	14"
		LOW	8 3/4" to 13 3/4"		
LOW	5 1/4"	STD	9" to 13"	10 1/4"	14"
		LOW	7 1/4" to 11 1/4"		

Armrest Size	Transfer Tube Length D	Receiver	CONTOUR PAD		
			H Range	Pad Length L	
				Desk	Full
STD	8"	STD	10" to 15"	10 1/2"	14 1/4"
		LOW	8 1/4" to 12 1/2"		
LOW	5 1/4"	STD	8 1/2" to 12 1/2"	10 1/2"	14 1/4"
		LOW	6 3/4" to 10 3/4"		



Armrest Matrix for Single Post

9. FOOTRESTS

Hanger Mounted Footrest (Footplates Mount to Hanger Tubing)

Hanger Type

<input type="checkbox"/>	022H89		70° Swing In/Out Front Mount	NC
<input type="checkbox"/>	022H90		80° Swing In/Out Front Mount	NC
<input type="checkbox"/>	022H91		90° Swing In/Out Front Mount	NC
<input type="checkbox"/>	022H9		70° Hvy Dty Fnt Mount Lift-Off	NC
<input type="checkbox"/>	022H10		80° Hvy Dty Fnt Mount Lift-Off	NC
<input type="checkbox"/>	022H11		90° Hvy Dty Fnt Mount Lift-Off	NC
<input type="checkbox"/>	022H23	E0990	90° Elevating	\$295.00

Extensions (may interfere with some seat heights & casters)

<input type="checkbox"/>	022E23		2" (not mounted)	\$55.00
<input type="checkbox"/>	022E24		4" (not mounted)	\$55.00

Footplate

<input type="checkbox"/>	022F9	K0040 K0038	Kids Angle Adjustable w/Leg Strap	\$185.00
<input type="checkbox"/>	022F8	K0040 E0951	Adult Angle Adj. W/Heel Loops	\$185.00
<input type="checkbox"/>	022F62	K0040 K0038	Footboard w/Leg Strap (Available with 12"-16" widths)	\$150.00

Ext. Tube Mounted Footrests (Cont.)

Extensions

<input type="checkbox"/>	022E1		Short (11.5" - 14")	NC
<input type="checkbox"/>	022E2		Med (14" - 17") Not avail. w/ ELR	NC
<input type="checkbox"/>	022E5		Long (17" - 19")	NC
<input type="checkbox"/>	022E16	K0037	High Mount	\$55.00

Footplate

<input type="checkbox"/>	022F1		Composite w/Heel Loops (not avail. In 12" width)	STD
<input type="checkbox"/>	022F3	K0040 E0951	Adult Angle Adjustable W/Heel Loops	\$185.00
<input type="checkbox"/>	022F4	K0040 K0038	Kids Angle Adjustable w/Leg Strap (not avail. w/17"-18" width)	\$185.00
<input type="checkbox"/>	022F5		Aluminum (Only available with elevating legrests)	NC
<input type="checkbox"/>	022F48	K0040 K0038	Platform Flip-Up w/Leg Strap (Avail on 60° 70° and 80° ext. mount hangers only)	\$190.00

Ext. Tube Mounted Footrests (Footplates Mount to Ext. Tube)

Hanger Type

<input type="checkbox"/>	022H85		60° Swing In/Out	NC
<input type="checkbox"/>	022H86		70° Swing In/Out	STD
<input type="checkbox"/>	022H116		80° Swing In/Out (n/a with 6" or 8" Casters)	STD
<input type="checkbox"/>	022H24	K0053	Articulating (not avail. w/ 12"-13" composite footplate)	\$350.00
<input type="checkbox"/>	022H14	E0990	Elevating (Not avail. w/ composite or platform footplates.)	\$295.00

Footrest Hanger Options

<input type="checkbox"/>	022IG2		Neoprene Covers (Avail. on 60°/70°/80° ext. mount hangers only)	\$85.00
<input type="checkbox"/>	022A54	K0038	Extra Single Leg Strap	\$30.00
<input type="checkbox"/>	022A110	E0952	Toe Loop (Only avail. w/ adult angle adjust. footplates)	\$40.00
<input type="checkbox"/>	022H32		Omit Hanger	(\$15.00)
<input type="checkbox"/>	022F7		Omit Footplate & Ext. Tube	(\$15.00)
<input type="checkbox"/>	022HL4		Omit Heel Loop	NC
<input type="checkbox"/>	022HL6		Omit Single Leg Strap	NC

Mark For: _____

The **HCPCS CODES** provided are based on code verification through PDAC or our interpretation of the code definitions.
 The use of **HCPCS CODES** does not ensure coverage or payment. For coverage information, verify the appropriate payer's coverage policy.

✓ Option # HCPCS Definition Price ✓ Option # HCPCS Definition Price

10. CASTERS

Caster Wheel			
<input type="checkbox"/>	022CW30	3" Micro Light Up	\$65.00
<input type="checkbox"/>	022CW31	4" Micro Light Up	\$70.00
<input type="checkbox"/>	022CW3	4" Polyurethane	NC
<input type="checkbox"/>	022CW51	5" Micro Light Up	\$85.00
<input type="checkbox"/>	022CW5	5" Low-Profile Polyurethane	STD
<input type="checkbox"/>	022CW7	5" x 1.5" Semi-Pneumatic	\$85.00
<input type="checkbox"/>	022CW33	E2214 E2215 6" Pneumatic	\$75.00
<input type="checkbox"/>	022CW34	6" Polyurethane	NC
<input type="checkbox"/>	022CW35	6" x 1.5" Semi-Pneumatic	\$85.00
<input type="checkbox"/>	022CW21	E2214 E2215 8" Pneumatic (not avail. w/ 90° Hangers or kids frame length)	\$75.00
<input type="checkbox"/>	022CW32	8" Polyurethane (not avail. w/ 90° Hangers or kids frame length)	NC
<input type="checkbox"/>	022CW39	8" x 1.5" Semi-Pneumatic (not avail. w/ 90° Hangers or kids frame length)	\$85.00
<input type="checkbox"/>	022CW36	E2214 E2215 8" x 2" Pneumatic (not avail. w/ 90° Hangers or kids frame length)	\$145.00
<input type="checkbox"/>	022CW37	E2217 E2214 8" x 2" Pneumatic Inserts (not avail. w/ 90° Hangers or kids frame length)	\$225.00

Caster Options			
<input type="checkbox"/>	022CS5	3/4" Longer Fork Stem Bolt	NC
<input type="checkbox"/>	022CS9	1 1/2" Longer Fork Stem Bolt	NC
<input type="checkbox"/>	022CS3	K0073 Caster Pin Locks (Not available with 8" x 2" or Transit Opt.)	\$195.00
<input type="checkbox"/>	022CW38	Omit Caster, Wheels & Tires	NC

Front Seat to Floor Height Guide (Reference Only)							
Rear Wheel Size	CASTER SIZE						
	3"	4"	5"	6"	8"x1"	8"x1.5"	8"x2"
12"	16.5	16.5	16.5	16.5	N/A	N/A	N/A
	17.0	17.0	17.0	17.0			
12" Low Poly	15.5	15.5	15.5	15.5	N/A	N/A	N/A
	16.0	16.0	16.0	16.0			
16"	15.5	15.5	15.5	15.5	N/A	N/A	N/A
	16.0	16.0	16.0	16.0			
18"	15.0	15.0	15.0		N/A	N/A	N/A
	15.5	15.5	15.5				
	16.0	16.0	16.0	16.0			
	16.5	16.5	16.5	16.5			
20"	15.0	15.0	15.0				
	15.5	15.5	15.5				
	16.0	16.0	16.0	16.0			
	16.5	16.5	16.5	16.5			
	17.0	17.0	17.0	17.0			
	17.5	17.5	17.5	17.5		17.5	
22"	18.0	18.0	18.0	18.0	18.0	18.0	18.0
	18.5	18.5	18.5	18.5	18.5	18.5	18.5
	19.0	19.0	19.0	19.0	19.0	19.0	19.0
	15.5	15.5	15.5				
	16.0	16.0	16.0	16.0			
	16.5	16.5	16.5	16.5			
24"	17.0	17.0	17.0	17.0			
	17.5	17.5	17.5	17.5		17.5	
	18.0	18.0	18.0	18.0	18.0	18.0	18.0
	18.5	18.5	18.5	18.5	18.5	18.5	18.5
	19.0	19.0	19.0	19.0	19.0	19.0	19.0
		19.5	19.5	19.5	19.5	19.5	19.5
			20.0	20.0	20.0	20.0	

Based on rear seat to floor height up to 1.5" lower than front seat to floor height. To achieve desired seat height see matrices on last page.

Mark For: _____

The **HCPCS CODES** provided are based on code verification through PDAC or our interpretation of the code definitions.
 The use of **HCPCS CODES** does not ensure coverage or payment. For coverage information, verify the appropriate payer's coverage policy.

✓	Option #	HCPCS	Definition	Price	✓	Option #	HCPCS	Definition	Price
---	----------	-------	------------	-------	---	----------	-------	------------	-------

11. AXLES AND WHEELS

Axle Plate

<input type="checkbox"/>	022AL2		Standard	NC
<input type="checkbox"/>	02AL71	E0959	Amputee	\$85.00
<input type="checkbox"/>	022AL17	E0958	One Arm Drive (Avail with 13"-16" widths only) (Not avail. w/ amputee axle plate, 12", 16" or 18" wheels.)	\$850.00
<input type="checkbox"/>	022OA2		Standard Handrim	NC
<input type="checkbox"/>	022HM1		<i>Right</i>	NC
<input type="checkbox"/>	022HM2		<i>Left</i>	NC
<input type="checkbox"/>	022OA1		Small Handrim (not avail w/20" rear wheels)	NC
<input type="checkbox"/>	022HM1		<i>Right</i>	NC
<input type="checkbox"/>	022HM2		<i>Left</i>	NC

Axle

<input type="checkbox"/>	022AX1		<i>Quick Release</i>	NC
<input type="checkbox"/>	022AX11		Quad Quick Release (not available with Lite Spokes)	\$90.00

Rear Wheel Size

<input type="checkbox"/>	022RW48		12" Mag (Not available with handrims)	\$40.00
<input type="checkbox"/>	022RW52		16" Mag (Not available with handrims)	\$40.00

Rear Wheel Size - Cont

<input type="checkbox"/>	022RW3		20" Mag	NC
<input type="checkbox"/>	022RW8		22" Mag	STD
<input type="checkbox"/>	022RW1		24" Mag	NC
<input type="checkbox"/>	022RW12		18" Spoke	\$100.00
<input type="checkbox"/>	022RW90		20" Lite Spoke	\$200.00
<input type="checkbox"/>	022RW91		22" Lite Spoke	\$200.00
<input type="checkbox"/>	022RW54		24" Lite Spoke	\$100.00
<input type="checkbox"/>	022RW25		Omit Rear Wheel & Axle	(\$55.00)

Rear Wheel Tire

<input type="checkbox"/>	022RT1	E2211 E2212	Pneumatic	NC
<input type="checkbox"/>	022RT2	E2211 E2213	Pneumatic Airless Insert	\$80.00
<input type="checkbox"/>	022RT3	E2218	Full Polyurethane (Not avail.w/ 12", 16" and 18" rear wheels)	NC
<input type="checkbox"/>	022RT4		Low Polyurethane (Only available with 12" and 24" wheels)	NC
<input type="checkbox"/>	022RT6	E2211 E2212	High Pressure Clincher (Avail. w/ 24" spoke wheels, not avail. With mag wheels)	\$95.00
<input type="checkbox"/>	022RT8	E2211 E2212	Kevlar (Only available with 24" wheels)	\$95.00

Handrim

<input type="checkbox"/>	022HR1		Aluminum Anodized	NC
<input type="checkbox"/>	022HR4		Plastic Coated	\$95.00
<input type="checkbox"/>	022HR7		Omit (Not available with wheel/axle credit)	NC

Projections (Not Available on Plastic Coated)

Only available with 24" wheels

<input type="checkbox"/>	022HR8		8 Oblique	\$240.00
--------------------------	--------	--	-----------	----------

Hub Lock

**Only available with 12" or 16" wheels. Not available with one arm drive.*

<input type="checkbox"/>	022LK01		12" Hub Lock	\$100.00
<input type="checkbox"/>	022LK02		16" Hub Lock	\$100.00

Wheel Lock

Not available with Hub Lock

<input type="checkbox"/>	022WL1		High Mount Push (not avail. w/kids frame and 24" rear wheels)	NC
<input type="checkbox"/>	022WL2		High Mount Pull (not avail. w/kids frame and 24" rear wheels)	NC
<input type="checkbox"/>	022WL25		Foot Lock (may limit folding width & n/a w/ 24" rear wheels and kids frame)	NC
<input type="checkbox"/>	022WL10		Omit	NC

Extension Handle

<input type="checkbox"/>	022EH1	E0961	6" Pair	\$75.00
--------------------------	--------	-------	---------	---------

Anti-Tip

<input type="checkbox"/>	022AO1	E0971	Front Anti-Tip (Not avail. with caster pin locks or transit opt.)	\$150.00
<input type="checkbox"/>	022AT1	E0971	Rear Anti-Tip	\$135.00

Mark For:

The **HCPCS CODES** provided are based on code verification through PDAC or our interpretation of the code definitions. The use of **HCPCS CODES** does not ensure coverage or payment. For coverage information, verify the appropriate payer's coverage policy.

✓	Option #	HCPCS	Definition	Price	✓	Option #	HCPCS	Definition	Price
---	----------	-------	------------	-------	---	----------	-------	------------	-------

12. ACCESSORIES

Back Pack

<input type="checkbox"/>	022A1		Utility Backpack - Black	\$55.00
<input type="checkbox"/>	022A2		Kids Black Backpack	\$50.00

Seat Pouch

<input type="checkbox"/>	022A8		Black	\$45.00
--------------------------	-------	--	-------	---------

Miscellaneous

<input type="checkbox"/>	022A82		Caddy	\$45.00
<input type="checkbox"/>	022A83		Tool Kit	\$45.00
<input type="checkbox"/>	022A49	E2207	Crutch Holder-Assem. Fold Chair	\$195.00

Positioning Belt

<input type="checkbox"/>	022A112	E0978	1" Dual Pull Side Squeeze Padded	\$85.00
<input type="checkbox"/>	022A12	E0978	Belt 2" Aircraft Buckle	\$110.00
<input type="checkbox"/>	022A13	E0978	Belt 2" Aircraft Buckle Padded	\$120.00
<input type="checkbox"/>	022A141	E0978	Belt 1.5" Auto Buckle w/Clamps	\$70.00

Spoke Guard

(Not available with 12", 16" and 18" rear wheels or projections)

<input type="checkbox"/>	022A23	K0065	Black	\$115.00
<input type="checkbox"/>	022A303	K0065	Clear Zippie	\$115.00

Upper Extremity Support Tray

<input type="checkbox"/>	022A29	E0950	X-Small (Suggested 10"-12")	\$250.00
<input type="checkbox"/>	022A30	E0950	Small (Suggested 13"-14")	\$250.00
<input type="checkbox"/>	022A31	E0950	Medium (Suggested 15"-17")	\$250.00
<input type="checkbox"/>	022A32	E0950	Large (Suggested 18"-20")	\$250.00

Side Guard

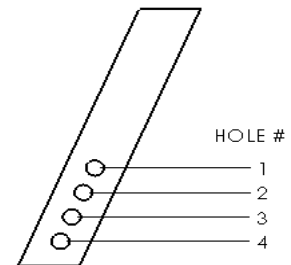
(Not available with height adjustable armrests and T-Posts)

<input type="checkbox"/>	022SG33		Plastic Std	\$125.00
<input type="checkbox"/>	022SG29		Plastic Low	\$125.00

Zippie 2 Seat Height Setup

Caster Fork Size	Caster Stem	Caster Fork Hole Position	CASTER SIZE								
			3	4	5	6	8x1	8x1.5	8x2		
5-1/4 (N/A with 8x2 Caster)	Std	1			15						
		2		15	15.5	16					
		3	15	15.5	16	16.5					
		4	15.5	16	16.5	17	18	18			
	+3/4"	1			16						
		2		16	16.5	17					
		3	16	16.5	17	17.5					
		4	16.5	17	17.5	18	19	18.5			
	+1-1/2"	1			16.5						
		2		16.5	17	17.5					
		3	16.5	17	17.5	18					
		4	17	17.5	18	18.5	19.5	19.5			
6" (N/A with 8x2 Caster)	Std	1			16	16.5					
		2		16	16.5	17	18	17.5			
		3	16	16.5	17	17.5	18.5	18			
		4	16.5	17	17.5	18	19	18.5			
	+3/4"	1			16.5	17					
		2		16.5	17	17.5	18.5	18.5			
		3	16.5	17	17.5	18	19	19			
		4	17	17.5	18	18.5	19.5	19.5			
	+1-1/2"	1			17.5	18					
		2		17.5	18	18.5	19.5	19			
		3	17.5	18	18.5	19	20	19.5			
		4	18	18.5	19	19.5	20.5	20			
7" (N/A with 8x2 Caster)	Std	1			17	17.5	18.5	18			
		2		17	17.5	18	19	18.5			
		3	17	17.5	18	18.5	19.5	19			
		4	17.5	18	18.5	19	20	19.5			
	+3/4"	1			17.5	18	19	19			
		2		17.5	18	18.5	19.5	19.5			
		3	17.5	18	18.5	19	20	20			
		4	18	18.5	19	19.5	20.5	20.5			
	+1-1/2"	1			18.5	19	20	19.5			
		2		18.5	19	19.5	20.5	20			
		3	18.5	19	19.5	20	21	20.5			
		4	19	19.5	20	20.5	21.5	21			
8" Wide (must use with 8x2 caster)	Std	1								18	
		2								19	
	+3/4"	1								18.5	
		2								19.5	
	+1-1/2"	1								19.5	
		2								20.5	

5-1/4", 6" & 7" Fork



8" Wide Fork

