



Zippie GS (Transit Optional) October 2010

EIZGS

Date: _____ Dealer Acct #: _____ Dealer: _____ Dealer Contact: _____ Dealer Address: _____ Dealer City: _____ ST: _____ ZIP: _____ Dealer Phone: () _____ Fax: () _____ Confirm Via: <input type="checkbox"/> Email <input type="checkbox"/> Fax <input type="checkbox"/> Phone	SHIPPING INFORMATION PO#: _____ Ship To: _____ Attention: _____ Address: _____ Address: _____ Ship To City: _____ ST: _____ ZIP: _____ Ship To Phone: () _____ Fax: () _____ Confirmation Email: _____
--	---

Mark For: _____

*The HCPCS CODES provided are based on code verification through PDAC or our interpretation of the code definitions.
The use of HCPCS CODES does not ensure coverage or payment. For coverage information, verify the appropriate payer's coverage policy.*

✓	Option #	HCPCS	Definition	Price	✓	Option #	HCPCS	Definition	Price
---	----------	-------	------------	-------	---	----------	-------	------------	-------

Zippie GS (Transit Optional)

1. FRAME STYLE

All Zippie GS models grow in width and depth.

<input type="checkbox"/>	087WM72	E1238	Folding Growing Zippie GS Includes True Fit Growth	\$1,449.00	<input type="checkbox"/>	087FC4	Reverse Configuration (NA w/ Swing-Away hangers non-rem. in reverse config.; lift off hangers recommended.	NC
<input type="checkbox"/>	087WM73	E1237	Rigid Growing Zippie GS Includes True Fit Growth	\$1,449.00	<input type="checkbox"/>	087FC3	Standard Configuration	NC

2. TRANSIT SYSTEM

*Tie Down Requires: Solid Seat and Solid Back or, Growing Seat Pan and Jay Fit or Conventional Back or,
Growing Seat Pan and Solid Back or, Jay Fit and/or Conventional Seat & Back*

<input type="checkbox"/>	087TO19		Transit Optional Std. Seating (Req. Selection of Seat & Back)	\$150.00	<input type="checkbox"/>	087TO16	Transit Optional w/Conv. Seat	\$150.00
<input type="checkbox"/>	087TO13		Transit Optional w/o Seating	\$150.00	<input type="checkbox"/>	087TO17	Transit Optional w/Fit. Seat	\$150.00
					<input type="checkbox"/>	087TO15	Transit Omit	NC

4. FRAME COLOR

Standard Colors

<input type="checkbox"/>	087C2	Black (Not avail as base w/Zebra)	NC
<input type="checkbox"/>	087C10	Black Opal	NC
<input type="checkbox"/>	087C38	Blue Opal	NC
<input type="checkbox"/>	087C36	Candy Blue	NC
<input type="checkbox"/>	087C35	Candy Red	NC
<input type="checkbox"/>	087C128	Copper	NC
<input type="checkbox"/>	087C6	Forest Green	NC
<input type="checkbox"/>	087C127	Fuchsia	NC
<input type="checkbox"/>	087C126	Glow	NC
<input type="checkbox"/>	087C4	Midnight Purple	NC

<input type="checkbox"/>	087C5	Pearl Pink	NC
<input type="checkbox"/>	087C103	Rootbeer	NC
<input type="checkbox"/>	087C114	Sparkle Silver	NC
<input type="checkbox"/>	087C11	Toxic Green	NC
<input type="checkbox"/>	087C8	Yellow	NC

Custom Colors

<input type="checkbox"/>	087C43	Mossy Oak Camouflage	\$295.00
<input type="checkbox"/>	087C42	Stars and Stripes	\$295.00
<input type="checkbox"/>	087C108	Zebra (Choose base color above: White Std, n/a black)	\$295.00

Mark For: _____

The **HCPCS CODES** provided are based on code verification through PDAC or our interpretation of the code definitions.
The use of **HCPCS CODES** does not ensure coverage or payment. For coverage information, verify the appropriate payer's coverage policy.

✓	Option #	HCPCS	Definition	Price	✓	Option #	HCPCS	Definition	Price
---	----------	-------	------------	-------	---	----------	-------	------------	-------

5. GROWING FRAME WIDTH

<input type="checkbox"/>	087BW4		Small Cross Brace	NC	<input type="checkbox"/>	087BW6		Large Cross Brace	NC
<input type="checkbox"/>	087W1		10"	NC	<input type="checkbox"/>	087W5		14"	NC
<input type="checkbox"/>	087W2		11"	NC	<input type="checkbox"/>	087W6		15"	NC
<input type="checkbox"/>	087W3		12"	NC	<input type="checkbox"/>	087W7		16"	NC
<input type="checkbox"/>	087BW5		Medium Cross Brace	NC	<input type="checkbox"/>	087BW7		X-Large Cross Brace	\$75.00
<input type="checkbox"/>	087W3		12"	NC	<input type="checkbox"/>	087W7		16"	NC
<input type="checkbox"/>	087W4		13"	NC	<input type="checkbox"/>	087W8		17"	NC
<input type="checkbox"/>	087W5		14"	NC	<input type="checkbox"/>	087W9		18"	NC

6. GROWING FRAME DEPTH AND BACK POST LOCATION (SEE DIAGRAM ON PAGE 7)

<input type="checkbox"/>	087FL3		Short Frame	NC	<input type="checkbox"/>	087FL18		Long Frame	NC
<input type="checkbox"/>	087FD1		10"	NC	<input type="checkbox"/>	087FD5		14"	NC
<input type="checkbox"/>	087FD2		11"	NC	<input type="checkbox"/>	087FD6		15"	NC
<input type="checkbox"/>	087FD3		12"	NC	<input type="checkbox"/>	087FD7		16"	NC
<input type="checkbox"/>	087FD4		13"	NC	<input type="checkbox"/>	087FD8		17"	NC
<input type="checkbox"/>	087FD5		14"	NC	<input type="checkbox"/>	087FD9		18"	NC
<input type="checkbox"/>	087FL9		Regular Frame	NC	<input type="checkbox"/>	087FL97		X-Long Frame	\$75.00
<input type="checkbox"/>	087FD3		12"	NC	<input type="checkbox"/>	087FD7		16"	NC
<input type="checkbox"/>	087FD4		13"	NC	<input type="checkbox"/>	087FD8		17"	NC
<input type="checkbox"/>	087FD5		14"	NC	<input type="checkbox"/>	087FD9		18"	NC
<input type="checkbox"/>	087FD6		15"	NC	<input type="checkbox"/>	087FD10		19"	NC
<input type="checkbox"/>	087FD7		16"	NC	<input type="checkbox"/>	087FD36	E2203	20"	NC

7. SEATING

Seats				
<input type="checkbox"/>	087ST55	E2231	Solid Seat (Req. Solid Back) Not avail. w/10"13" W x 19" and 20" Frame Depth or 17"-18" W x 13"-17" Frame Depth.	\$100.00
<input type="checkbox"/>	087PN3	E2231	Growing Seat Pan Depth (Fig. 1)	\$150.00
<input type="checkbox"/>	087ST28		For use w/ Conv. Seat (Seating not incl. Attach seating OF)	See OF
<input type="checkbox"/>	087ST29		For use w./Jay Fit Seat (Seating not incl. Attach Seating OF)	See OF
<input type="checkbox"/>	087ST27		Omit Seat	STD

Backs				
<i>(Solid Back Depth = 2" Less Than Frame Depth)</i>				
<input type="checkbox"/>	087B221		Short Solid Back 12"	\$100.00
<input type="checkbox"/>	087B222		Med. Solid Back 14"	\$100.00
<input type="checkbox"/>	087B223		Tall Solid Back 16"	\$100.00
<input type="checkbox"/>	087B174		For use w/ Conv. Back (Seating not incl. Attach seating OF)	See OF
<input type="checkbox"/>	087B175		For use w./Jay Fit Back (Seating not incl. Attach Seating OF)	See OF
<input type="checkbox"/>	087B176		Omit Backrest	NC

REFERENCE ONLY

Seat Depth Pan Size	Depth Range	
	Minimum	Maximum
Short 10"-12"	10"	14"
Medium 13"-14"	11 3/4"	16 1/4"
Long 15"-17"	13 3/4"	18 1/4"
X-Long 18"-20"	15 3/4"	20 1/4"

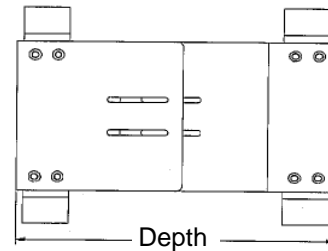


Figure 7.1 - Frame Depth Growth Range Matrix

Mark For:

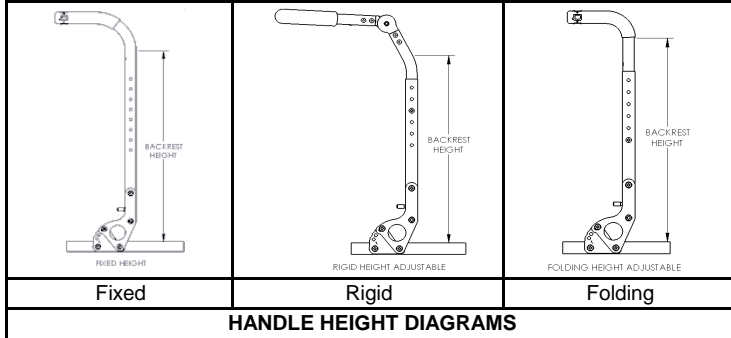
The **HCPCS CODES** provided are based on code verification through PDAC or our interpretation of the code definitions. The use of **HCPCS CODES** does not ensure coverage or payment. For coverage information, verify the appropriate payer's coverage policy.

✓	Option #	HCPCS	Definition	Price	✓	Option #	HCPCS	Definition	Price
---	----------	-------	------------	-------	---	----------	-------	------------	-------

8. STROLLER HANDLE BACK POSTS - BACK RESTS

Fixed Height			
<input type="checkbox"/>	087BP9		Low (19" Ht) NC
<input type="checkbox"/>	087BP10		Medium (22" Ht) NC
<input type="checkbox"/>	087BP11		Tall (25" Ht) NC
<input type="checkbox"/>	087BP13		Removable Extension \$85.00
<input type="checkbox"/>	087RG1		Folding Adjustable Rigidizer \$175.00

Height Adjustable			
Rigid Frame w/ Angle Adjust Push Handle			
<input type="checkbox"/>	087B202		Std. (16"-22" Height.) NC
<input type="checkbox"/>	087PH8		Std. Angle Adj. Push Handle Lgth NC
<input type="checkbox"/>	087PH9		Long Angle Adj. Push Handle Length NC
<input type="checkbox"/>	087B203		Tall (19"-25" Height.) NC
<input type="checkbox"/>	087PH8		Std. Angle Adj. Push Handle Lgth NC
<input type="checkbox"/>	087PH9		Long Angle Adj. Push Handle Length NC



Folding Frame with Push Handle			
<input type="checkbox"/>	087B204		Std. (17"-23" Height.) NC
<input type="checkbox"/>	087BP47		Swing Away Handle (not available with dual triggers) \$55.00
<input type="checkbox"/>	087B205		Tall (20"-26" Height.) NC
<input type="checkbox"/>	087BP47		Swing Away Handle (not available with dual triggers) \$55.00

9. ARMRESTS

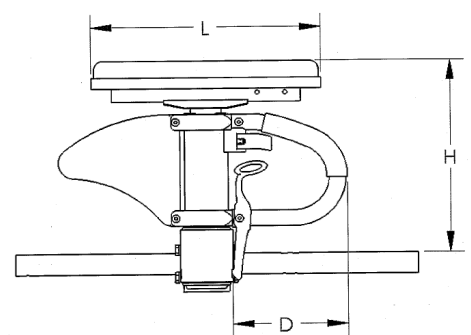
Armrest and Armpad - Height Adjustable			
<input type="checkbox"/>	087AA12	E0973	T-Post Regular w/Foam NC
<input type="checkbox"/>	087AA13	E0973	T-Post Tall w/Foam NC
<input type="checkbox"/>	087AA3	E0973	Flip-Up NC
<input type="checkbox"/>	087AA1	E0973	Adjustable Locking Flip-Up \$250.00
<input type="checkbox"/>	087AA7	E0973	Length Adjust. Locking Flip-Up \$260.00
<input type="checkbox"/>	087AM23		Desk Classic (10") NC
<input type="checkbox"/>	087AM24		Full Classic (14") NC
<input type="checkbox"/>	087AM9		Foam Short (not avail. w/T Post) NC
<input type="checkbox"/>	087AM10		Foam Long (not avail. w/T Post) NC

Armrest - Height Adjustable			
<input type="checkbox"/>	087AA11	E0973	Single-Post Height Adj. Std. \$260.00
<input type="checkbox"/>	087AM23		Desk Classic NC
<input type="checkbox"/>	087AM21		Desk Contour NC
<input type="checkbox"/>	087AM24		Full Classic NC
<input type="checkbox"/>	087AM22		Full Contour NC
<input type="checkbox"/>	087AA29	E0973	Single-Post Height Adj. Low \$260.00
<input type="checkbox"/>	087AM23		Desk Classic NC
<input type="checkbox"/>	087AM21		Desk Contour NC
<input type="checkbox"/>	087AM24		Full Classic NC
<input type="checkbox"/>	087AM22		Full Contour NC

Armrest Receiver for Height Adjustable Armrest			
<input type="checkbox"/>	087AR17		Low NC
<input type="checkbox"/>	087AR18		Std NC

Armrest Size	Transfer Tube Length D	Receiver	CLASSIC PAD		
			H Range	Pad Length L	
				Desk	Full
STD	8"	STD	10 3/4" to 15 3/4"	10 1/4"	14"
		LOW	8 3/4" to 13 3/4"		
LOW	5 1/4"	STD	9" to 13"	10 1/4"	14"
		LOW	7 1/4" to 11 1/4"		

Armrest Size	Transfer Tube Length D	Receiver	CONTOUR PAD		
			H Range	Pad Length L	
				Desk	Full
STD	8"	STD	10" to 15"	10 1/2"	14 1/4"
		LOW	8 1/4" to 12 1/2"		
LOW	5 1/4"	STD	8 1/2" to 12 1/2"	10 1/2"	14 1/4"
		LOW	6 3/4" to 10 3/4"		



Armrest Matrix for Single Post

Mark For: _____

The **HCPCS CODES** provided are based on code verification through PDAC or our interpretation of the code definitions.
 The use of **HCPCS CODES** does not ensure coverage or payment. For coverage information, verify the appropriate payer's coverage policy.

✓	Option #	HCPCS	Definition	Price	✓	Option #	HCPCS	Definition	Price
---	----------	-------	------------	-------	---	----------	-------	------------	-------

10. FOOTRESTS

Hanger Mounted Footrest (Footplates Mount to Hanger Tubing)

Hanger Type

<input type="checkbox"/>	087H89		70° Swing In/Out Front Mount	NC
<input type="checkbox"/>	087H90		80° Swing In/Out Front Mount	NC
<input type="checkbox"/>	087H6		90° Swing Away Front Mount	NC
<input type="checkbox"/>	087H9		70° Hvy Dty Fnt Mount Lift-Off	NC
<input type="checkbox"/>	087H10		80° Hvy Dty Fnt Mount Lift-Off	NC
<input type="checkbox"/>	087H11		90° Hvy Dty Fnt Mount Lift-Off	NC
<input type="checkbox"/>	087H23	E0990	90° Elevating	\$295.00

Extensions (may interfere with some seat heights & casters)

<input type="checkbox"/>	087E23		2" (not mounted)	\$55.00
<input type="checkbox"/>	087E24		4" (not mounted)	\$55.00

Footplate

<input type="checkbox"/>	087F9	K0040 K0038	Kids Angle Adjustable w/Leg Strap (not avail. w/17"-18" width)	\$185.00
<input type="checkbox"/>	087F8	K0040 E0951	Adult Angle Adj. W/Heel Loops	\$185.00
<input type="checkbox"/>	087F62	K0040 K0038	Footboard w/Leg Strap (Available with 10"-16" widths)	\$150.00

Ext. Tube Mounted Footrests (Footplates Mount to Ext. Tube)

Hanger Type

<input type="checkbox"/>	087H85		60° Swing In/Out	NC
<input type="checkbox"/>	087H86		70° Swing In/Out	STD
<input type="checkbox"/>	087H116		80° Swing In/Out (n/a with 6" or 8" Casters)	STD
<input type="checkbox"/>	087H24	K0053	Articulating (not avail. w/ 10"-13" composite footplates)	\$350.00
<input type="checkbox"/>	087H14	E0990	Elevating (Not avail. w/ composite or platform footplates.)	\$295.00

Extensions

<input type="checkbox"/>	087E1		Short (11.5" - 14")	NC
<input type="checkbox"/>	087E2		Med (14" - 17") Not avail. w/ ELR	NC
<input type="checkbox"/>	087E5		Long (17" - 19")	NC
<input type="checkbox"/>	087E16	K0037	High Mount	\$55.00

Footplate

<input type="checkbox"/>	087F1		Composite w/Heel Loops (not avail. In 10", 11" or 12" width)	STD
<input type="checkbox"/>	087F3	K0040 E0951	Adult Angle Adjustable W/Heel Loops	\$185.00
<input type="checkbox"/>	087F4	K0040 K0038	Kids Angle Adjustable w/Leg Strap (not avail. w/17"-18" width)	\$185.00
<input type="checkbox"/>	087F5		Aluminum (Only available with elevating legrests 11"-18")	NC
<input type="checkbox"/>	087F48	K0040 K0038	Platform Flip-Up w/Leg Strap (Avail on 60° 70° and 80° ext. mount hangers only)	\$190.00

Front Seat to Floor Height Guide (Reference Only)

Rear Wheel Size	CASTER SIZE						
	3"	4"	5"	6"	8"X1"	8"X1.5"	8"x2"
12"	14.0	14.0	14.0		N/A	N/A	N/A
	14.5	14.5	14.5				
	15.0	15.0	15.0	15.0			
	15.5	15.5	15.5	15.5			
	16.0	16.0	16.0	16.00			
12" Low Poly	14.0	14.0	14.0	15.0	N/A	N/A	N/A
	14.5	14.5	14.5				
	15.0	15.0	15.0				
16"	14.0	14.0	14.0				
	14.5	14.5	14.5				
	15.0	15.0	15.0	15.0			
	15.5	15.5	15.5	15.5			
	16.0	16.0	16.0	16.0			
	16.5	16.5	16.5	16.5	16.5	16.5	16.5
18"	14.0	14.0	14.0				
	14.5	14.5	14.5				
	15.0	15.0	15.0	15.0			
	15.5	15.5	15.5	15.5			
	16.0	16.0	16.0	16.0			
	16.5	16.5	16.5	16.5	16.5	16.5	16.5
	17.0	17.0	17.0	17.0	17.0	17.0	
20"	17.5	17.5	17.5	17.5	17.5	17.5	17.5
		18.0	18.0	18.0	18.0	18.0	18.0
	14.0	14.0	14.0				
	14.5	14.5	14.5	15.0			
	15.0	15.0	15.0	15.5			
	15.5	15.5	15.5	16.0	16.5	16.5	16.5
	16.0	16.0	16.0	16.5	17.0	17.0	
	16.5	16.5	16.5	17.0	17.5	17.5	17.5
	17.0	17.0	17.0	17.5	18.0	18.0	18.0
22"	17.5	17.5	17.5	18.0	18.5	18.5	18.5
		18.0	18.0	18.5	19.0	19.0	19.0
			18.5	19.0	19.5	19.5	
	15.0	15.0	15.0	15.5	16.5	16.5	
	15.5	15.5	15.5	16.0	17.0	17.0	
	16.0	16.0	16.0	16.5	17.5	17.5	16.5
24"	16.5	16.5	16.5	17.0	18.0	18.0	
	17.0	17.0	17.0	17.5	18.5	18.5	17.5
	17.5	17.5	17.5	17.5	18.0	18.0	18.0
		18.0	18.0	18.5	19.0	19.0	18.5
			18.5	19.0	19.5	19.5	19.0
				19.0	19.5	19.5	
					20.0	20.0	

Based on 1.5" seat angle. To achieve desired seat height see matrices on last page.

Mark For: _____

The **HCPCS CODES** provided are based on code verification through PDAC or our interpretation of the code definitions.
The use of **HCPCS CODES** does not ensure coverage or payment. For coverage information, verify the appropriate payer's coverage policy.

✓	Option #	HCPCS	Definition	Price	✓	Option #	HCPCS	Definition	Price
---	----------	-------	------------	-------	---	----------	-------	------------	-------

10. FOOTRESTS - CONT.

Footrest Hanger Options

<input type="checkbox"/>	087IG2		Neoprene Covers (Avail. on 60°/70°/80° ext. mount hangers only)	\$85.00
<input type="checkbox"/>	087A54	K0038	Extra Single Leg Strap	\$30.00
<input type="checkbox"/>	087A110	E0952	Toe Loop (Only avail. w/ adult angle adjust. footplates)	\$40.00

<input type="checkbox"/>	087H33		Omit Hanger	(\$15.00)
<input type="checkbox"/>	087F7		Omit Footplate & Ext. Tube	(\$15.00)
<input type="checkbox"/>	087HL4		Omit Heel Loop	NC
<input type="checkbox"/>	087HL6		Omit Single Leg Strap	NC

11. CASTERS

Caster Wheel

<input type="checkbox"/>	087CW30		3" Micro Light Up	\$65.00
<input type="checkbox"/>	087CW31		4" Micro Light Up	\$70.00
<input type="checkbox"/>	087CW51		5" Micro Light Up	\$85.00
<input type="checkbox"/>	087CW5		5" Low-Profile Polyurethane	STD
<input type="checkbox"/>	087CW7		5" x 1.5" Semi-Pneumatic	\$85.00
<input type="checkbox"/>	087CW33	E2214 E2215	6" Pneumatic	\$75.00
<input type="checkbox"/>	087CW34		6" Polyurethane	NC
<input type="checkbox"/>	087CW35		6" x 1.5" Semi-Pneumatic	\$85.00
<input type="checkbox"/>	087CW21	E2214 E2215	8" Pneumatic	\$75.00
<input type="checkbox"/>	087CW32		8" Polyurethane	NC
<input type="checkbox"/>	087CW39		8" x 1.5" Semi-Pneumatic	\$85.00

<input type="checkbox"/>	087CW36	E2214 E2215	8" x 2" Pneumatic	\$145.00
<input type="checkbox"/>	087CW37	E2217 E2214	8" x 2" Pneumatic w/Airless Insert	\$225.00

Caster Options

<input type="checkbox"/>	087CS5		3/4" Longer Fork Stem Bolt	NC
<input type="checkbox"/>	087CS9		1 1/2" Longer Fork Stem Bolt	NC
<input type="checkbox"/>	087CS3	K0073	Caster Pin Locks (Not avail. with 8" x 2" casters or Trans. opt)	\$195.00
<input type="checkbox"/>	087CW38		Omit Caster, Wheels & Tires	NC

12. AXLES AND WHEELS

Axle Plate

<input type="checkbox"/>	087AL17	E0958	One Arm Drive (Avail w/ 20",22",24" Mag Rear Wheels & 13"-18" wide)	\$850.00
<input type="checkbox"/>	087OA2		Standard Handrim	NC
<input type="checkbox"/>	087HM1		<i>Right</i>	NC
<input type="checkbox"/>	087HM2		<i>Left</i>	NC
<input type="checkbox"/>	087OA1		Small Handrim	NC
<input type="checkbox"/>	087HM1		<i>Right</i>	NC
<input type="checkbox"/>	087HM2		<i>Left</i>	NC

Rear Wheel Size - Cont

<input type="checkbox"/>	087RW3		20" Mag	NC
<input type="checkbox"/>	087RW8		22" Mag	NC
<input type="checkbox"/>	087RW1		24" Mag	NC
<input type="checkbox"/>	087RW12		18" Spoke	\$100.00
<input type="checkbox"/>	087RW90		20" Lite Spoke	\$200.00
<input type="checkbox"/>	087RW91		22" Lite Spoke	\$200.00
<input type="checkbox"/>	087RW54		24" Lite Spoke	\$100.00
<input type="checkbox"/>	087RW25		Omit Rear Wheel & Axle	(\$55.00)

Axle

<input type="checkbox"/>	087AX26		One Arm Drive Axle (Only avail. w/One Arm Drive Option)	STD
<input type="checkbox"/>	087AX1		<i>Quick Release</i>	NC
<input type="checkbox"/>	087AX11		Quad Quick Release (<i>not available with Lite Spokes</i>)	\$90.00

Rear Wheel Tire

<input type="checkbox"/>	087RT1	E2211 E2212	Pneumatic	NC
<input type="checkbox"/>	087RT2	E2211 E2213	Pneumatic Airless Insert	\$80.00
<input type="checkbox"/>	087RT3	E2218	Full Polyurethane (Not avail.w/ 12", 16" and 18" rear wheels)	NC
<input type="checkbox"/>	087RT4		Low Polyurethane (Only available with 12" or 24" wheels)	NC
<input type="checkbox"/>	087RT6	E2211 E2212	High Pressure Clincher (Only available with 24" spoke wheels)	\$95.00
<input type="checkbox"/>	087RT8	E2211 E2212	Kevlar (Only available with 24" wheels)	\$95.00

Rear Wheel Size

<input type="checkbox"/>	087RW48		12" Mag (Not available with handrims)	\$40.00
<input type="checkbox"/>	087RW52		16" Mag (Not available with handrims)	\$40.00

Mark For: _____

The **HCPCS CODES** provided are based on code verification through PDAC or our interpretation of the code definitions.
 The use of **HCPCS CODES** does not ensure coverage or payment. For coverage information, verify the appropriate payer's coverage policy.

✓	Option #	HCPCS	Definition	Price	✓	Option #	HCPCS	Definition	Price
---	----------	-------	------------	-------	---	----------	-------	------------	-------

12. AXLES AND WHEELS - CONT.

Handrim

<input type="checkbox"/>	087HR1		Aluminum Anodized	NC
<input type="checkbox"/>	087HR4		Plastic Coated	\$95.00
<input type="checkbox"/>	087HR7		Omit (Not available with wheel/axle credit)	NC

Projections (Not Available on Plastic Coated)

**Only available with 24" wheels & not available with spoke guards.*

<input type="checkbox"/>	087HR8	E0967	8 Oblique	\$240.00
--------------------------	--------	-------	-----------	----------

Hub Lock

**Only available with 12" or 16" wheels. N/A with One arm drive.*

<input type="checkbox"/>	087LK01		12" Hub Lock	\$100.00
<input type="checkbox"/>	087LK02		16" Hub Lock	\$100.00

Wheel Lock

Not available with Hub Locks

<input type="checkbox"/>	087WL1		High Mount Push	NC
<input type="checkbox"/>	087WL2		High Mount Pull	NC
<input type="checkbox"/>	087WL25		Foot Lock (may limit folding width) (Not avail. In rev. config.)	NC
<input type="checkbox"/>	087WL10		Omit	NC

Extension Handle

<input type="checkbox"/>	087EH1	E0961	6" Pair	\$75.00
--------------------------	--------	-------	---------	---------

Anti-Tip

<input type="checkbox"/>	087A02	E0971	Front Anti-Tip (Not available with caster pin locks) (Not available with transit option)	\$150.00
<input type="checkbox"/>	087AT17	E0971	Rear Anti-Tip	\$135.00

13. ACCESSORIES

Back Pack

<input type="checkbox"/>	087A1		Utility Backpack - Black	\$55.00
<input type="checkbox"/>	087A2		Kids Black Backpack	\$50.00

Seat Pouch

<input type="checkbox"/>	087A8		Black	\$45.00
--------------------------	-------	--	-------	---------

Miscellaneous

<input type="checkbox"/>	087A83		Tool Kit	\$45.00
--------------------------	--------	--	----------	---------

Positioning Belt

<input type="checkbox"/>	087A112	E0978	1" Dual Pull Side Squeeze Padded	\$85.00
<input type="checkbox"/>	087A12	E0978	Belt 2" Aircraft Buckle	\$110.00
<input type="checkbox"/>	087A13	E0978	Belt 2" Aircraft Buckle Padded	\$120.00
<input type="checkbox"/>	087A141	E0978	Belt 1.5" Auto Buckle w/Clamps	\$70.00

Spoke Guard

(Not available with 12", 16" and 18" rear wheels & Projections Handrims)

<input type="checkbox"/>	087A23	K0065	Black	\$115.00
<input type="checkbox"/>	087A303	K0065	Clear Zippie	\$115.00

Upper Extremity Support Tray

<input type="checkbox"/>	087A29	E0950	X-Sm (Suggested 10"-12" Width)	\$250.00
<input type="checkbox"/>	087A30	E0950	Sm (Suggested 13"-14" Width)	\$250.00
<input type="checkbox"/>	087A31	E0950	Med (Suggested 15"-17" Width)	\$250.00
<input type="checkbox"/>	087A32	E0950	Lrg (Suggested 18"-20" Width)	\$250.00

Side Guard

(Not available with height adjustable armrests or T-Post)

<input type="checkbox"/>	087SG33		Plastic Std	\$125.00
<input type="checkbox"/>	087SG29		Plastic Low	\$125.00

Mark For: _____

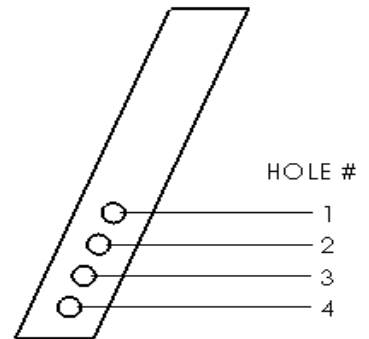
The **HCPCS CODES** provided are based on code verification through PDAC or our interpretation of the code definitions.
 The use of **HCPCS CODES** does not ensure coverage or payment. For coverage information, verify the appropriate payer's coverage policy.

✓	Option #	HCPCS	Definition	Price	✓	Option #	HCPCS	Definition	Price
---	----------	-------	------------	-------	---	----------	-------	------------	-------

Zippie GS Seat Height Setup

Caster Fork Size	Caster Stem	Caster Fork Hole Position	CASTER SIZE							
			3	4	5	6	8x1	8x1.5	8x2	
5-1/4" (N/A with 8x2 Caster)	Std	1			14					
		2		14	14.5	15				
		3	14	14.5	15	15.5				
		4	14.5	15	15.5	16	17	16.5		
	+3/4"	1			14.5					
		2		14.5	15	15.5				
		3	14.5	15	15.5	16				
		4	15	15.5	16	16.5	17.5	17.5		
	+1-1/2"	1			15.5					
		2		15.5	16	16.5				
		3	15.5	16	16.5	17				
		4	16	16.5	17	17.5	18.5	18		
6" (N/A with 8x2 Caster)	Std	1			14.5	15				
		2		14.5	15	15.5	16.5	16.5		
		3	14.5	15	15.5	16	17	17		
		4	15	15.5	16	16.5	17.5	17.5		
	+3/4"	1			15.5	16				
		2		15.5	16	16.5	17.5	17		
		3	15.5	16	16.5	17	18	17.5		
		4	16	16.5	17	17.5	18.5	18		
	+1-1/2"	1			16	16.5				
		2		16	16.5	17	18	18		
		3	16	16.5	17	17.5	18.5	18.5		
		4	16.5	17	17.5	18	19	19		
7" (N/A with 8x2 Caster)	Std	1			15.5	16	17	17		
		2		15.5	16	16.5	17.5	17.5		
		3	15.5	16	16.5	17	18	18		
		4	16	16.5	17	17.5	18.5	18.5		
	+3/4"	1			16	16.5	18	17.5		
		2		16	16.5	17	18.5	18		
		3	16	16.5	17	17.5	19	18.5		
		4	16.5	17	17.5	18	19.5	19		
	+1-1/2"	1			17	17.5	18.5	18.5		
		2		17	17.5	18	19	19		
		3	17	17.5	18	18.5	19.5	19.5		
		4	17.5	18	18.5	19	20	20		
8" Wide (must use with 8x2 caster)	Std	1							16.5	
		2							17.5	
	+3/4"	1							17.5	
		2							18.5	
	+1-1/2"	1							18	
		2							19	

5-1/4", 6" & 7" Fork



8" Wide Fork

