



# Zippie TS (Transit Optional) October 2010

EIZ1A

Date: _____ Dealer Acct #: _____ Dealer: _____ Dealer Contact: _____ Dealer Address: _____ Dealer City: _____ ST: _____ ZIP: _____ Dealer Phone: ( ) _____ Fax: ( ) _____ Confirm Via: <input type="checkbox"/> Email <input type="checkbox"/> Fax <input type="checkbox"/> Phone	<b>SHIPPING INFORMATION</b> PO#: _____ Ship To: _____ Attention: _____ Address: _____ Address: _____ Ship To City: _____ ST: _____ ZIP: _____ Ship To Phone: ( ) _____ Fax: ( ) _____ Confirmation Email: _____
--	---

Mark For: \_\_\_\_\_

*The HCPCS CODES provided are based on code verification through PDAC or our interpretation of the code definitions.  
The use of HCPCS CODES does not ensure coverage or payment. For coverage information, verify the appropriate payer's coverage policy.*

✓	Option #	HCPCS	Definition	Price	✓	Option #	HCPCS	Definition	Price
---	----------	-------	------------	-------	---	----------	-------	------------	-------

## Zippie TS (Transit Optional)

### 1. FRAME STYLE

*All Zippie TS models grow in width and depth.*

<input type="checkbox"/>	187WM65	E1234	Folding Growing Zippie TS (includes True Fit Growth)	\$1,999.00	<input type="checkbox"/>	187WM66	E1233	Rigid Growing Zippie TS (includes True Fit Growth)	\$1,899.00
<input type="checkbox"/>					<input type="checkbox"/>	187F02		Additional Rigid Strut Tube	NC

### 2. TRANSIT SYSTEM

*Tie Down Requires: Solid Seat and Solid Back or, Growing Seat Pan and Jay Fit or Conventional Seat and Back or, Growing Seat Pan and Solid Back or, Jay Fit and/or Conventional Seat & Back*

<input type="checkbox"/>	187TO12		Transit Optional Seating (Req. Selection of Seat & Back)	\$150.00	<input type="checkbox"/>	187TO9		Transit Optional w/o Seating	\$150.00
<input type="checkbox"/>					<input type="checkbox"/>	187TO20		Transit Omit	N/C

### 3. TILT OPTION

<input type="checkbox"/>	187TT12		Dual Trigger Cable Release	NC	<input type="checkbox"/>	187TT8		Cable Foot Release (may limit folding width)	NC
<input type="checkbox"/>	187VZ01		Criss Cross Cables (cables are longer individually)	NC					
<input type="checkbox"/>	187VZ02		Non Criss Cross	Std					

### 4. FRAME COLOR

Standard Colors			
<input type="checkbox"/>	187C2	Black (Not avail as base w/Zebra)	NC
<input type="checkbox"/>	187C10	Black Opal	NC
<input type="checkbox"/>	187C38	Blue Opal	NC
<input type="checkbox"/>	187C36	Candy Blue	NC
<input type="checkbox"/>	187C35	Candy Red	NC
<input type="checkbox"/>	187C128	Copper	NC
<input type="checkbox"/>	187C6	Forest Green	NC
<input type="checkbox"/>	187C127	Fuchsia	NC
<input type="checkbox"/>	187C126	Glow	NC
<input type="checkbox"/>	187C4	Midnight Purple	NC

<input type="checkbox"/>	187C5	Pearl Pink	NC
<input type="checkbox"/>	187C103	Rootbeer	NC
<input type="checkbox"/>	187C114	Sparkle Silver	NC
<input type="checkbox"/>	187C11	Toxic Green	NC
<input type="checkbox"/>	187C8	Yellow	NC

Custom Colors			
<input type="checkbox"/>	187C43	Mossy Oak Camouflage	\$295.00
<input type="checkbox"/>	187C42	Stars and Stripes	\$295.00
<input type="checkbox"/>	187C108	Zebra (Choose base color above: White Std, n/a black)	\$295.00

Mark For: \_\_\_\_\_

The **HCPCS CODES** provided are based on code verification through PDAC or our interpretation of the code definitions.  
 The use of **HCPCS CODES** does not ensure coverage or payment. For coverage information, verify the appropriate payer's coverage policy.

✓	Option #	HCPCS	Definition	Price	✓	Option #	HCPCS	Definition	Price
---	----------	-------	------------	-------	---	----------	-------	------------	-------

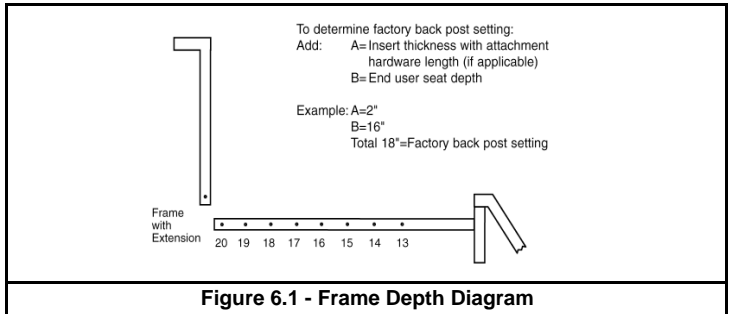
**5. FRAME WIDTH**

<input type="checkbox"/>	<b>187W25</b>		<b>Small Cross Brace</b>	<b>NC</b>
<input type="checkbox"/>	187S1		10"	NC
<input type="checkbox"/>	187S2		11"	NC
<input type="checkbox"/>	187S3		12"	NC
<input type="checkbox"/>	<b>187W26</b>		<b>Medium Cross Brace</b>	<b>NC</b>
<input type="checkbox"/>	187S3		12"	NC
<input type="checkbox"/>	187S4		13"	NC
<input type="checkbox"/>	187S5		14"	NC

<input type="checkbox"/>	<b>187W27</b>		<b>Large Cross Brace</b>	<b>NC</b>
<input type="checkbox"/>	187S5		14"	NC
<input type="checkbox"/>	187S6		15"	NC
<input type="checkbox"/>	187S7		16"	NC
<input type="checkbox"/>	<b>187W28</b>		<b>X-Large Cross Brace</b>	<b>NC</b>
<input type="checkbox"/>	187S7		16"	NC
<input type="checkbox"/>	187S8		17"	NC
<input type="checkbox"/>	187S9		18"	NC

**6. FRAME DEPTH AND BACK POST LOCATION**

<input type="checkbox"/>	187FD4		13" Frame Depth	NC
<input type="checkbox"/>	187FD5		14" Frame Depth	NC
<input type="checkbox"/>	187FD6		15" Frame Depth	NC
<input type="checkbox"/>	187FD7		16" Frame Depth	NC
<input type="checkbox"/>	187FD8		17" Frame Depth	NC
<input type="checkbox"/>	187FD9		18" Frame Depth	NC
<input type="checkbox"/>	187FD10		19" Frame Depth (uses rear frame extension plug)	NC
<input type="checkbox"/>	187FD36		20" Frame Depth (uses rear frame extension plug)	NC



**Figure 6.1 - Frame Depth Diagram**

**7. SEATING**

**Seats**

<input type="checkbox"/>	187ST55	E2231	Solid Seat (Req. Solid Back) Not avail. w/10"13" W x 19" and 20" Frame Depth or 17"-18" W x 13"-17" Frame Depth.	\$100.00
<input type="checkbox"/>	187ST14	E2231	Growing Seat Pan Depth (Fig. 7.1)	\$150.00
<input type="checkbox"/>	187ST28		For use w/ Conv. Seat (Seating not incl, Attach seating OF)	See OF
<input type="checkbox"/>	187ST29		For use w./Jay Fit Seat (Seating not incl. Attach Seating OF )	See OF
<input type="checkbox"/>	187ST5		Omit Seat	Std

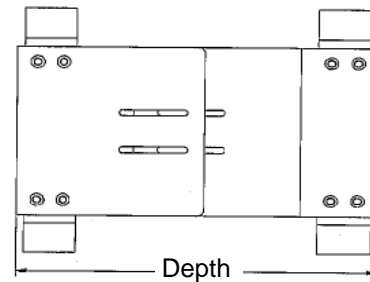
**Backs**

(Solid Back Depth = 2" Less Than Frame Depth)

<input type="checkbox"/>	187BT37		Short Solid Back 12" (Requires solid seat)	NC
<input type="checkbox"/>	187BT38		Med. Solid Back 14"	NC
<input type="checkbox"/>	187BT39		Tall Solid Back 16"	NC
<input type="checkbox"/>	187BT40		For use w/ Conv. Back (Seating not incl, Attach seating OF)	See OF
<input type="checkbox"/>	187BT41		For use w./Jay Fit Back (Seating not incl. Attach Seating OF )	See OF
<input type="checkbox"/>	187BT13		Omit Backrest	NC

**REFERENCE ONLY**

Seat Depth Pan Size	Depth Range	
	Minimum	Maximum
Medium 13"-14"	11 3/4"	16 1/4"
Long 15"-17"	13 3/4"	18 1/4"
X-Long 18"-20"	15 3/4"	20 1/4"



**Figure 7.1 - Frame Depth Growth Range Matrix**

Mark For:

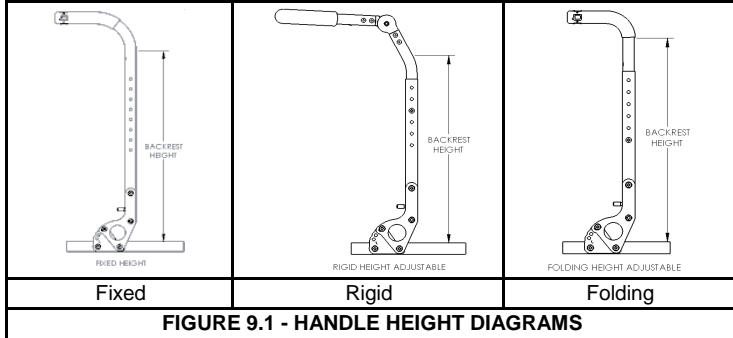
The **HCPCS CODES** provided are based on code verification through PDAC or our interpretation of the code definitions.  
The use of **HCPCS CODES** does not ensure coverage or payment. For coverage information, verify the appropriate payer's coverage policy.

✓	Option #	HCPCS	Definition	Price	✓	Option #	HCPCS	Definition	Price
---	----------	-------	------------	-------	---	----------	-------	------------	-------

**8. STROLLER HANDLE BACK POSTS - BACK RESTS**

Fixed Height			
<input type="checkbox"/>	187BP9		Low (19" Ht) NC
<input type="checkbox"/>	187BP10		Medium (22" Ht) NC
<input type="checkbox"/>	187BP11		Tall (25" Ht) NC
<input type="checkbox"/>	187BP13		Removable Extension \$85.00
<input type="checkbox"/>	187RG1		Folding Adjustable Rigidizer \$175.00

Height Adjustable			
Rigid Frame w/ Angle Adjust Push Handle			
<input type="checkbox"/>	187B202		<b>Std. (16"-22" Height.)</b> NC
<input type="checkbox"/>	187PH8		Std. Angle Adj. Push Handle Lgth NC
<input type="checkbox"/>	187PH9		Long Angle Adj. Push Handle Length NC
<input type="checkbox"/>	187B203		<b>Tall (19"-25" Height.)</b> NC
<input type="checkbox"/>	187PH8		Std. Angle Adj. Push Handle Lgth NC
<input type="checkbox"/>	187PH9		Long Angle Adj. Push Handle Length NC



Folding Frame with Push Handle			
<input type="checkbox"/>	187B204		<b>Std. (17"-23" Height.)</b> NC
<input type="checkbox"/>	187BP47		Swing Away Handle (not available with dual triggers) \$55.00
<input type="checkbox"/>	187B205		<b>Tall (20"-26" Height.)</b> NC
<input type="checkbox"/>	187BP47		Swing Away Handle (not available with dual triggers) \$55.00

**9. ARMRESTS**

Armrest and Armpad - Height Adjustable			
<input type="checkbox"/>	187AA12	E0973	T-Post Regular w/Foam NC
<input type="checkbox"/>	187AA13	E0973	T-Post Tall w/Foam NC
<input type="checkbox"/>	187AA3	E0973	Flip-Up NC
<input type="checkbox"/>	187AA1	E0973	<b>Adjustable Locking Flip-Up</b> \$250.00
<input type="checkbox"/>	187AA7	E0973	<b>Length Adjust. Locking Flip-Up</b> \$260.00
<input type="checkbox"/>	187AM23		Desk Length (10") NC
<input type="checkbox"/>	187AM24		Full Length (14") NC
<input type="checkbox"/>	187AM9		Foam Short (not avail. w/T Post) NC
<input type="checkbox"/>	187AM10		Foam Long (not avail. w/T Post) NC

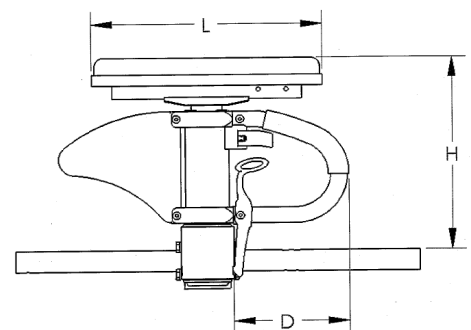
Armrest - Height Adjustable			
<input type="checkbox"/>	187AA11	E0973	<b>Single-Post Height Adj. Std.</b> \$260.00
<input type="checkbox"/>	187AM23		Desk Classic NC
<input type="checkbox"/>	187AM21		Desk Contour NC
<input type="checkbox"/>	187AM24		Full Classic NC
<input type="checkbox"/>	187AM22		Full Contour NC
<input type="checkbox"/>	187AA29	E0973	<b>Single-Post Height Adj. Low</b> \$260.00
<input type="checkbox"/>	187AM23		Desk Classic NC
<input type="checkbox"/>	187AM21		Desk Contour NC
<input type="checkbox"/>	187AM24		Full Classic NC
<input type="checkbox"/>	187AM22		Full Contour NC

Armrest Receiver for Height Adjustable Armrest			
<input type="checkbox"/>	187AR17		<b>Low</b> (not avail. w/Lite Spokes) NC
<input type="checkbox"/>	187AR18		Std NC

Armrest Size	Transfer Tube Length D	Receiver	CLASSIC PAD		
			H Range	Pad Length L	
				Desk	Full
STD	8"	STD	10 3/4" to 15 3/4"	10 1/4"	14"
		LOW	8 3/4" to 13 3/4"		
LOW	5 1/4"	STD	9" to 13"		
		LOW	7 1/4" to 11 1/4"		

Armrest Size	Transfer Tube Length D	Receiver	CONTOUR PAD		
			H Range	Pad Length L	
				Desk	Full
STD	8"	STD	10" to 15"	10 1/2"	14 1/4"
		LOW	8 1/4" to 12 1/2"		
LOW	5 1/4"	STD	8 1/2" to 12 1/2"		
		LOW	6 3/4" to 10 3/4"		



Armrest Matrix for Single Post

Mark For: \_\_\_\_\_

The **HCPCS CODES** provided are based on code verification through PDAC or our interpretation of the code definitions.  
 The use of **HCPCS CODES** does not ensure coverage or payment. For coverage information, verify the appropriate payer's coverage policy.

✓	Option #	HCPCS	Definition	Price	✓	Option #	HCPCS	Definition	Price
---	----------	-------	------------	-------	---	----------	-------	------------	-------

**10. FOOTRESTS**

**Hanger Mounted Footrest (Footplates Mount to Hanger Tubing)**

**Hanger Type**

<input type="checkbox"/>	187H89		70° Swing In/Out Front Mount	NC
<input type="checkbox"/>	187H90		80° Swing In/Out Front Mount	NC
<input type="checkbox"/>	187H91		90° Swing In/Out Front Mount	NC
<input type="checkbox"/>	187H9		70° Hvy Dty Fnt Mount Lift-Off	NC
<input type="checkbox"/>	187H10		80° Hvy Dty Fnt Mount Lift-Off	NC
<input type="checkbox"/>	187H11		90° Hvy Dty Fnt Mount Lift-Off	NC
<input type="checkbox"/>	187H23	E0990	90° Elevating	\$295.00

**Extensions (may interfere with some seat heights & casters)**

<input type="checkbox"/>	187E23		2" (not mounted)	\$55.00
<input type="checkbox"/>	187E24		4" (not mounted)	\$55.00

**Footplate**

<input type="checkbox"/>	187F9	K0040 K0038	Kids Angle Adjustable w/Leg Strap (not avail. w/17"-18" widths)	\$185.00
<input type="checkbox"/>	187F8	K0040 E0951	Adult Angle Adj. W/Heel Loops (Available with 10"-18" widths)	\$185.00
<input type="checkbox"/>	187F62	K0040 K0038	Footboard w/Leg Strap (Available with 10"-16" widths)	\$150.00

**Ext. Tube Mounted Footrests (Footplates Mount to Ext. Tube)**

**Hanger Type**

<input type="checkbox"/>	187H85		60° Swing In/Out	NC
<input type="checkbox"/>	187H86		70° Swing In/Out	STD
<input type="checkbox"/>	187H116		80° Swing In/Out	STD
<input type="checkbox"/>	187H24	K0053	Articulating (not avail w/ 10"-13" composite footplates.)	\$350.00
<input type="checkbox"/>	187H14	E0990	Elevating (Not avail. w/ composite or platform footplates.)	\$295.00

**Extensions**

<input type="checkbox"/>	187E1		Short (11.5" - 14")	NC
<input type="checkbox"/>	187E2		Med (14" - 17") Not avail. w/ ELR	NC
<input type="checkbox"/>	187E5		Long (17" - 19")	NC
<input type="checkbox"/>	187E16	K0037	High Mount	\$55.00

**Footplate**

<input type="checkbox"/>	187F1		Composite w/Heel Loops (not avail. In 10", 11" or 12" width)	STD
<input type="checkbox"/>	187F3	K0040 E0951	Adult Angle Adjustable W/Heel Loops	\$185.00
<input type="checkbox"/>	187F4	K0040 K0038	Kids Angle Adjustable w/Leg Strap (not avail. w/17"-18" width)	\$185.00
<input type="checkbox"/>	187F5		Aluminum (Only available with elevating legrests 14"-18")	NC
<input type="checkbox"/>	187F48	K0040 K0038	Platform Flip-Up w/Leg Strap (Avail on 60° 70° and 80° ext. mount hangers only)	\$190.00

**Footrest Hanger Options**

<input type="checkbox"/>	187IG2		Neoprene Covers (Avail. on 60°/70°/80° ext. mount hangers only)	\$85.00
<input type="checkbox"/>	187A54	K0038	Extra Single Leg Strap	\$30.00
<input type="checkbox"/>	187A110	E0952	Toe Loop (Only avail. w/ adult angle adjust. footplates)	\$40.00
<input type="checkbox"/>	187H32		Omit Hanger	(\$15.00)
<input type="checkbox"/>	187F7		Omit Footplate & Ext. Tube	(\$15.00)
<input type="checkbox"/>	187HL4		Omit Heel Loop	NC
<input type="checkbox"/>	187HL6		Omit Single Leg Strap	NC

Rear Wheel Size	CASTER SIZE						
	○ 3	○ 4	○ 5	○ 6	○ 8x1	○ 8x1.5	○ 8x2
○ 12	○ 17.0	○ 16.5	○ 16.5	○ 17.0			
	○ 17.5	○ 17.0	○ 17.0	○ 17.5			
○ 12 Low	○ 16.0	○ 16.0	○ 16.0	○ 16.5	N/A	N/A	N/A
	○ 16.5	○ 16.5	○ 16.5				
○ 16	○ 15.5	○ 15.5	○ 15.5				
	○ 18.0	○ 18.0	○ 18.0	○ 18.0	○ 18.5	○ 18.0	○ 18.5
	○ 18.5	○ 18.5	○ 18.5	○ 18.5	○ 19.0	○ 18.5	
○ 18	○ 15.5	○ 15.5	○ 15.5				
	○ 16.0	○ 16.0	○ 16.0	○ 16.5	N/A	N/A	N/A
	○ 16.5	○ 16.5	○ 16.5				
			○ 17.0				
○ 20	○ 15.5	○ 15.5	○ 15.5				
	○ 16.0	○ 16.0	○ 16.0				
	○ 16.5	○ 16.5	○ 16.5	○ 16.5			
	○ 17.0	○ 17.0	○ 17.0	○ 17.0	○ 18.5	○ 18.0	○ 18.5
	○ 17.5	○ 17.5	○ 17.5	○ 17.5			
	○ 18.0	○ 18.0	○ 18.0	○ 18.0			
○ 22	○ 16.5	○ 16.5	○ 16.5	○ 16.5			
	○ 17.0	○ 17.0	○ 17.0	○ 17.0			
	○ 17.5	○ 17.5	○ 17.5	○ 17.5		○ 18.0	○ 18.5
	○ 18.0	○ 18.0	○ 18.0	○ 18.0	○ 18.5	○ 18.5	○ 19.0
	○ 18.5	○ 18.5	○ 18.5	○ 18.5	○ 19.0	○ 19.0	
		○ 19.0	○ 19.0	○ 19.0	○ 19.5		
○ 24	○ 17.0						
	○ 17.5	○ 17.5	○ 17.5	○ 17.5			
	○ 18.0	○ 18.0	○ 18.0	○ 18.0		○ 18.0	
	○ 18.5	○ 18.5	○ 18.5	○ 18.5	○ 18.5	○ 18.5	○ 18.5
		○ 19.0	○ 19.0	○ 19.0	○ 19.0	○ 19.0	○ 19.0
			○ 19.5	○ 19.5	○ 19.5	○ 19.5	○ 20.0

**Chart A - Seat to Floor Height Matrix**

Shaded Caster Sizes not available with foot actuated wheel lock.  
 Note: Rear seat-to-floor ht. may be up to 1.5" lower than front seat-to-floor ht.

Mark For: \_\_\_\_\_

The **HCPCS CODES** provided are based on code verification through PDAC or our interpretation of the code definitions.  
 The use of **HCPCS CODES** does not ensure coverage or payment. For coverage information, verify the appropriate payer's coverage policy.

✓	Option #	HCPCS	Definition	Price	✓	Option #	HCPCS	Definition	Price
---	----------	-------	------------	-------	---	----------	-------	------------	-------

**11. CASTERS**

**Caster Wheel**

<input type="checkbox"/>	187CW30		3" Micro Light Up	\$65.00
<input type="checkbox"/>	187CW31		4" Micro Light Up	\$70.00
<input type="checkbox"/>	187CW51		5" Micro Light Up	\$85.00
<input type="checkbox"/>	187CW5		5" Low-Profile Polyurethane	STD
<input type="checkbox"/>	187CW7		5" x 1.5" Semi-Pneumatic	\$85.00
<input type="checkbox"/>	187CW33	E2214 E2215	6" Pneumatic	\$75.00
<input type="checkbox"/>	187CW34		6" Polyurethane	NC
<input type="checkbox"/>	187CW35		6" x 1.5" Semi-Pneumatic	\$85.00

<input type="checkbox"/>	187CW21	E2214 E2215	8" Pneumatic	\$75.00
<input type="checkbox"/>	187CW32		8" Polyurethane	NC
<input type="checkbox"/>	187CW39		8" x 1.5" Semi-Pneumatic	\$85.00
<input type="checkbox"/>	187CW36	E2214 E2215	8" x 2" Pneumatic	\$145.00
<input type="checkbox"/>	187CW37	E2217 E2214	8" x 2" Pneumatic w/Airless Insert	\$225.00

**Caster Options**

<input type="checkbox"/>	187CS3	K0073	Caster Pin Locks (Not available with 8" x 2" and 8" x 1.5" casters)	\$195.00
--------------------------	--------	-------	---	----------

**12. AXLES AND WHEELS**

**Axle Plate**

<input type="checkbox"/>	187AL18		12" Rear Wheel Axle Plate (Only avail. w/12" or 16" rear wheels)	STD
<input type="checkbox"/>	187AL34		Short Adjustable (Not available with 12" rear wheels)	NC
<input type="checkbox"/>	187AL35		Long Adjustable (Not available with 12" rear wheels)	NC
<input type="checkbox"/>	187AL17	E0958	One Arm Drive (Avail. w/ 20", 22", 24" Mag Rear Wheels & 13"-18" width)	\$850.00
<input type="checkbox"/>	187OA2		<b>Standard Handrim</b>	NC
<input type="checkbox"/>	187HM1		<i>Right</i>	NC
<input type="checkbox"/>	187HM2		<i>Left</i>	NC
<input type="checkbox"/>	187OA1		<b>Small Handrim</b> (not avail w/ 20" wheels)	NC
<input type="checkbox"/>	187HM1		<i>Right</i>	NC
<input type="checkbox"/>	187HM2		<i>Left</i>	NC

**Rear Wheel Size**

<input type="checkbox"/>	187RW13		12" Mag (Not available with handrims)	STD
<input type="checkbox"/>	187RW52		16" Mag (Not available with handrims)	\$40.00

**Rear Wheel Size - Cont**

<input type="checkbox"/>	187RW3		20" Mag	NC
<input type="checkbox"/>	187RW8		22" Mag	NC
<input type="checkbox"/>	187RW1		24" Mag	NC
<input type="checkbox"/>	187RW12		18" Spoke	\$100.00
<input type="checkbox"/>	187RW90		20" Lite Spoke	\$200.00
<input type="checkbox"/>	187RW91		22" Lite Spoke	\$200.00
<input type="checkbox"/>	187RW54		24" Lite Spoke	\$100.00

**Axle**

<input type="checkbox"/>	187AX26		One Arm Drive Axle (Only avail. w/One Arm Drive Option)	STD
<input type="checkbox"/>	187AX1		<i>Quick Release</i>	NC
<input type="checkbox"/>	187AX11		Quad Quick Release (not available with Lite Spokes)	\$90.00

**Rear Wheel Tire**

<input type="checkbox"/>	187RT1	E2211 E2212	Pneumatic	NC
<input type="checkbox"/>	187RT2	E2211 E2213	Pneumatic Airless Insert	\$80.00
<input type="checkbox"/>	187RT3	E2218	Full Polyurethane (Not avail.w/ 12", 16" and 18" rear wheels)	NC
<input type="checkbox"/>	187RT4		Low Polyurethane (Only available with 12" or 24" wheels )	NC
<input type="checkbox"/>	187RT6	E2211 E2212	High Pressure Clincher (Only available with 24" spoke wheels)	\$95.00
<input type="checkbox"/>	187RT8	E2211 E2212	Kevlar (Only available with 24" wheels)	\$95.00

Mark For: \_\_\_\_\_

The **HCPCS CODES** provided are based on code verification through PDAC or our interpretation of the code definitions.  
 The use of **HCPCS CODES** does not ensure coverage or payment. For coverage information, verify the appropriate payer's coverage policy.

✓	Option #	HCPCS	Definition	Price	✓	Option #	HCPCS	Definition	Price
---	----------	-------	------------	-------	---	----------	-------	------------	-------

**12. AXLES AND WHEELS - CONT.**

**Handrim**

<input type="checkbox"/>	187HR1		Aluminum Anodized	NC
<input type="checkbox"/>	187HR4		Plastic Coated	\$95.00
<input type="checkbox"/>	187HR7		Omit (Not available with wheel/axle credit)	NC

**Projections (Not Available on Plastic Coated)**

*\*Only available with 24" wheels & not available with spoke guards.*

<input type="checkbox"/>	187HR8		8 Oblique	\$240.00
--------------------------	--------	--	-----------	----------

**Hub Lock**

*\*Only available with 12" or 16" wheels. Not avail. w/Short Axle Plate. Not avail. w/ Long Adj. Axle Plate w/ 13", 14" and 20" Frame Depth and one arm drive.*

<input type="checkbox"/>	187LK01		12" Hub Lock	\$100.00
<input type="checkbox"/>	187LK02		16" Hub Lock	\$100.00

**Wheel Lock**

*Not available with Hub Lock*

<input type="checkbox"/>	187WL1		High Mount Push	NC
<input type="checkbox"/>	187WL2		High Mount Pull	NC
<input type="checkbox"/>	187WL25		Foot Lock (may limit folding width)	NC
<input type="checkbox"/>	187WL10		Omit	NC

**Extension Handle**

<input type="checkbox"/>	187EH1	E0961	6" Pair	\$75.00
--------------------------	--------	-------	---------	---------

**Anti-Tip**

<input type="checkbox"/>	187AO1	E0971	Front Anti-Tip (Not available with caster pin locks) (Not available with transit option)	\$150.00
<input type="checkbox"/>	187AT1	E0971	Rear Anti-Tip	\$135.00

**13. ACCESSORIES**

**Back Pack**

<input type="checkbox"/>	187A1		Utility Backpack - Black	\$55.00
<input type="checkbox"/>	187A2		Kids Black Backpack	\$50.00

**Seat Pouch**

<input type="checkbox"/>	187A8		Black	\$45.00
--------------------------	-------	--	-------	---------

**Miscellaneous**

<input type="checkbox"/>	187A83		Tool Kit	\$45.00
--------------------------	--------	--	----------	---------

**Positioning Belt**

<input type="checkbox"/>	187A112	E0978	1" Dual Pull Side Squeeze Padded	\$85.00
<input type="checkbox"/>	187A12	E0978	Belt 2" Aircraft Buckle	\$110.00
<input type="checkbox"/>	187A13	E0978	Belt 2" Aircraft Buckle Padded	\$120.00
<input type="checkbox"/>	187A141	E0978	Belt 1.5" Auto Buckle w/Clamps	\$70.00

**Spoke Guard**

(Not available with 12", 16" and 18" rear wheels & Projections Handrims)

<input type="checkbox"/>	187A23	K0065	Black	\$115.00
<input type="checkbox"/>	187A24	K0065	Clear Zippie	\$115.00

**Upper Extremity Support Tray**

<input type="checkbox"/>	187A29	E0950	X-Sm (Suggested 10"-12" Width)	\$250.00
<input type="checkbox"/>	187A30	E0950	Sm (Suggested 13"-14" Width)	\$250.00
<input type="checkbox"/>	187A31	E0950	Med (Suggested 15"-17" Width)	\$250.00
<input type="checkbox"/>	187A32	E0950	Lrg (Suggested 18"-20" Width)	\$250.00

**Side Guard**

(Not available with height adjustable armrests or T-Post armrests)

<input type="checkbox"/>	187SG33		Plastic Std	\$125.00
<input type="checkbox"/>	187SG29		Plastic Low	\$125.00