



# Quickie GT

EIR3, Effective July 2010

ACCOUNT #: \_\_\_\_\_  
 DATE: \_\_\_\_\_  
 P.O. #: \_\_\_\_\_  
 BUYER: \_\_\_\_\_  
 MARKED FOR: \_\_\_\_\_

SHIP TO: \_\_\_\_\_  
 NAME: \_\_\_\_\_  
 ADDRESS: \_\_\_\_\_  
 CITY/ STATE: \_\_\_\_\_  
 ZIP CODE: \_\_\_\_\_ PHONE NUMBER: \_\_\_\_\_

The HCPCS codes provided are based on code verification by the PDAC or our interpretation of the code definitions. Proper use of HCPCS codes does not ensure coverage or payment. For coverage information, verify the appropriate payor's coverage policy.

BASE MODEL (265 lbs. Weight Capacity)		
<input type="checkbox"/>	145WM13 K0005 Quickie GT (EIR3) Aluminum	\$1,627.00

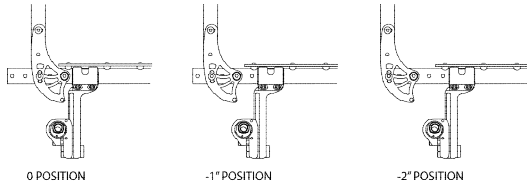
FRAME ANGLE (See Figure 1)		
<input type="checkbox"/>	145FA1 75°	NC
<input type="checkbox"/>	145FA8 80°	NC
<input type="checkbox"/>	145FA2 85°	NC

FRAME INSET PER SIDE (See Figure 2)		
<input type="checkbox"/>	145FF1 0"	NC
<input type="checkbox"/>	145FF2 1" (NA on 12" wide )	NC
<input type="checkbox"/>	145FF3 2" (NA on 12", 13", or 14" wide )	NC

FRAME STYLE (See Figure 3)		
<input type="checkbox"/>	145FS34 Classic Frame	NC
<input type="checkbox"/>	145FS35 Performance Frame	NC
<input type="checkbox"/>	145FS36 XTR Suspension Frame	\$895.00
<i>Only available in Performance Frame Set Up</i>		
<input type="checkbox"/>	145SK1 Light Shock (up to 180 lbs.)	NC
<input type="checkbox"/>	145SK3 Heavy Shock (up to 265 lbs.)	NC

**OPTIONAL DEPTH ADJUSTABLE BACKREST**  
 Depth Adjustable Backrest extends the frame rear of the seat sling, select a factory setting:  
 Depth Adjustable Backrest NA on 19" and 20" Seat Depths

<input type="checkbox"/>	145DP02 0 Setting	\$165.00
<i>Backrest at standard position, field adjustable to -1" or -2"</i>		
<input type="checkbox"/>	145DP03 -1" Setting	\$165.00
<i>Backrest -1" offset, field adjustable to flush or -2"</i>		
<input type="checkbox"/>	145DP04 -2" Setting	\$165.00
<i>Backrest -2" offset, field adjustable to flush or -1"</i>		



**SEAT WIDTH (See Figure 2)**  
 Measure from outside of seat tube to outside of opposite seat tube.  
 XTR and J3 Back NA w/ 12" and 13" widths

<input type="checkbox"/>	145S3 12"	NC
<input type="checkbox"/>	145S4 13"	NC
<input type="checkbox"/>	145S5 14"	NC
<input type="checkbox"/>	145S6 15"	NC
<input type="checkbox"/>	145S7 16"	NC
<input type="checkbox"/>	145S8 17"	NC
<input type="checkbox"/>	145S9 18"	NC
<input type="checkbox"/>	145S10 19"	NC
<input type="checkbox"/>	145S11 E2201 20"	\$450.00



Quickie GT with Jay Lite Cushion shown

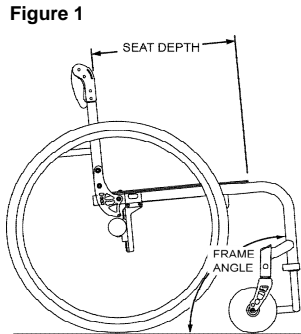


Figure 1

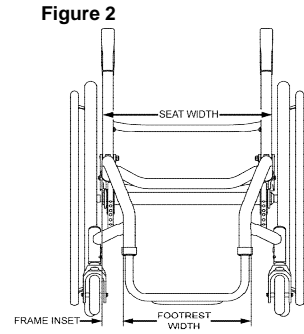


Figure 2

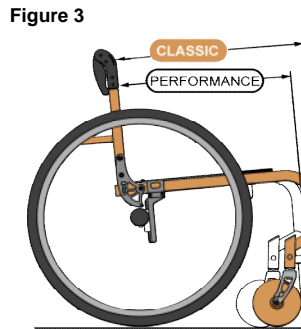


Figure 3

**Classic Frame** - Traditional GT seat sling to front frame bend angle dimensions.

**Performance Frame** - Seat Sling to front frame bend angle is 1.5" shorter than the classic position.

Front of back cane post to front edge of seat sling will remain the same for both Classic and Performance.

**SEAT DEPTH (See Figure 1)**

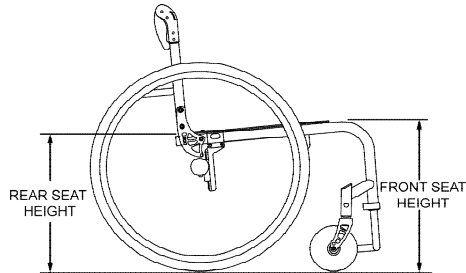
Measures from front of back post to front edge of seat sling. Seat sling will be 1" shorter than depth ordered, but actual seat depth will remain the same as ordered

<input type="checkbox"/>	145SD5 12"	NC
<input type="checkbox"/>	145SD6 13"	NC
<input type="checkbox"/>	145SD7 14"	NC
<input type="checkbox"/>	145SD8 15"	NC
<input type="checkbox"/>	145SD9 16"	NC
<input type="checkbox"/>	145SD10 17"	NC
<input type="checkbox"/>	145SD11 18"	NC
<input type="checkbox"/>	145SD12 19"	NC
<input type="checkbox"/>	145SD13 E2203 20"	\$475.00

FRONT SEAT HEIGHT (See Figure 4 & 5)		
<input type="checkbox"/>	145SH14	16" NC
<input type="checkbox"/>	145SH15	16.5" NC
<input type="checkbox"/>	145SH16	17" NC
<input type="checkbox"/>	145SH17	17.5" NC
<input type="checkbox"/>	145SH18	18" NC
<input type="checkbox"/>	145SH20	18.5" NC
<input type="checkbox"/>	145SH21	19" NC
<input type="checkbox"/>	145SH23	19.5" NC
<input type="checkbox"/>	145SH24	20" NC
<input type="checkbox"/>	145SH26	20.5" NC
<input type="checkbox"/>	145SH27	21" NC

FRONT TO REAR SEAT HEIGHT DIFFERENCES	
12"/13" Depth Max Difference is 2.5"	
14"/15" Depth Max Difference is 3"	
16"/17" Depth Max Difference is 3.5"	
18"/19" Depth Max Difference is 4"	
20" Depth Max Difference is 4.5"	

Figure 4



CASTER WHEEL (Figure 5 & 6)		
<input type="checkbox"/>	145CW1	3" Micro NC
<input type="checkbox"/>	145CW3	4" Low Profile Polyurethane NC
<input type="checkbox"/>	145CW31	4" Micro Lighted \$70.00
<input type="checkbox"/>	145CW72	4" x 1" Aluminum Polyurethane \$80.00
<input type="checkbox"/>	145CW44	4" x 1.25" Semi Pneumatic \$55.00
<input type="checkbox"/>	145CW64	4" x 1.5" Aluminum Soft Roll \$135.00
<input type="checkbox"/>	145CW5	5" Low Profile Polyurethane NC
<input type="checkbox"/>	145CW51	5" Micro Lighted \$85.00
<input type="checkbox"/>	145CW6	5" Soft Roll (Grey) \$85.00
		NA with Frog Legs
<input type="checkbox"/>	145CW65	5"x 1" Aluminum Polyurethane \$100.00
<input type="checkbox"/>	145CW7	5"x 1.5" Semi Pneumatic \$85.00
<input type="checkbox"/>	145CW66	5"x 1.5" Aluminum Soft Roll \$145.00
<input type="checkbox"/>	145CW34	6" Polyurethane NC
<input type="checkbox"/>	145CW35	6"x 1.5" Semi Pneumatic \$85.00
<input type="checkbox"/>	145CW68	6"x 1.5" Aluminum Soft Roll \$160.00

CASTER FORK (Figure 5 & 6)		
<input type="checkbox"/>	145CF27	Short Fork NC
<input type="checkbox"/>	145CF45	Short Wide Fork (with 1.25" or 1.5" caster) NC
<input type="checkbox"/>	145CF32	Tall Wide Fork NC

CASTER FORK SUSPENSION		
<input type="checkbox"/>	145CF53	E1015 Frog Legs 0 weight to 100 lbs \$395.00
<input type="checkbox"/>	145CF54	E1015 Frog Legs 101 lbs weight to 190 lbs \$395.00
<input type="checkbox"/>	145CF55	E1015 Frog Legs 191 lbs weight to 265 lbs \$395.00

FOOTREST		
<input type="checkbox"/>	145F228	Aluminum Tubular NC
<input type="checkbox"/>	145F229	Aluminum Tubular Long NC
<input type="checkbox"/>	145F230	Aluminum Tubular w/ Flat Cover NC
<input type="checkbox"/>	145F231	Aluminum Tubular Long w/ Flat Cover NC
<input type="checkbox"/>	145F234	K0040 Aluminum Platform (Ang. Adj.) \$95.00
<input type="checkbox"/>	145F278	K0040 High Mount Platform \$95.00
		NA with 12", 13" W with 1" or 2" Inset or 14" or 15" W with 2" insets.

ADAPTIVE PLATFORM SPACER		
	NA with Tubular Footrest	
<input type="checkbox"/>	145AD1	Adaptive Platform 2" Spacer \$95.00
<input type="checkbox"/>	145AD2	Adaptive Platform 4" Spacer \$95.00
<input type="checkbox"/>	145AD3	Adaptive Platform 6" Spacer \$95.00

FOOTREST OPTIONS		
<input type="checkbox"/>	145DI01	Removable Snap On Cover \$60.00
		NA on Platform Footrests
<input type="checkbox"/>	145DI02	Wear Pads \$50.00
		NA on Platform Footrests
<input type="checkbox"/>	145A179	K0108 Positioning Plates for Platform Footrest \$50.00
<input type="checkbox"/>	145A54	K0038 Extra Leg Strap \$30.00

Frame Inset	Footrest Width
0	Subtract 0 from Frame Width
1"	Subtract 2" from Frame Width
2"	Subtract 4" from Frame Width

Figure 5

Caster	Front STFH	Fork			
		Short/Single	Short Wide	Tall Wide	Frog Legs
3"	3"	16"-20"	16"-20.5"	16.5"-21"	17.5"-21"
	4"	16"-20.5"	16.5"-21"	16.5"-21"	17.5"-21"
	5"	17",18",19",20",21"	17"-21"	17"-21"	18.5"-21"
	6"	NA	NA	18"-21"	19",20",21"

Figure 6

Caster Size	Fork	Tubular/Flat Inset			Flared Inset			Platform Inset		
		0"	1"	2"	0"	1"	2"	0"	1"	2"
75° Frame Angle	3"	Short, Short W, Tall W			NA					
		Single Sided			NA					
		Froglegs			NA					
	4"	Short, Short W, Tall W			NA					
		Single Sided			NA					
		Froglegs			NA	2"				
80° Frame Angle	5"	Short, Short W, Tall W	NA		NA	NA				
		Single Sided	NA		NA	NA			.5"	
		Froglegs	NA		NA	NA			2"	
	6"	Tall Wide	NA	NA	NA	NA	1.5"	NA	.5"	
		Froglegs	NA	NA	NA	NA	1.5"	NA	.5"	
	85° Frame Angle	3"	Short, Short W, Tall W			NA				
		Single Sided			NA					
		Froglegs			NA					
4"		All NC Forks			NA					
		Single Sided			NA					
		Froglegs	NA		NA	NA				
85° Frame Angle	5"	Short, Short W, Tall W	NA		NA	NA			1"	
		Single Sided	NA		NA	NA			2"	
		Froglegs	NA		NA	NA			2"	1"
	6"	Wide	NA	1"	NA	NA	NA	NA	2"	1"
		Froglegs	NA	NA	NA	NA	NA	NA	2"	2"
	85° Frame Angle	3"	All NC Forks			NA				
		Single Sided			NA					
		Froglegs			NA					
4"		Short, Short W, Tall W			NA				.5"	
		Single Sided			NA				.5"	
		Froglegs	NA		NA	NA			.5"	
85° Frame Angle	5"	Short	NA	.5"	NA	NA			2"	.5"
		Short Wide/Tall Wide	NA	1"	NA	NA			2"	.5"
		Single Sided	NA	1"	NA	NA			2"	.5"
		Froglegs	NA	1.5"	NA	NA			NA	1.5"
	6"	Tall Wide	NA	2"	NA	NA			NA	2"
		Froglegs	NA	NA	1.5"	NA	NA	NA	NA	1.5"

☐ = Go      ■ = No Go      # = "Soft" Go with limited seat angle  
Min seat angle listed in cell

**REAR SEAT HEIGHT (Figure 4. previous page)**

14" & 14.5" only available with 20" rear wheel. NA with Amputee Axle Plate.  
 13" & 13.5" only available with 20" or 22" rear wheel. NA with Amputee Axle Plate.

<input type="checkbox"/>	145RH11	13"	NC
<input type="checkbox"/>	145RH12	13.5"	NC
<input type="checkbox"/>	145RH13	14"	NC
<input type="checkbox"/>	145RH14	14.5"	NC
<input type="checkbox"/>	145RH15	15"	NC
<input type="checkbox"/>	145RH16	15.5"	NC
<input type="checkbox"/>	145RH17	16"	NC
<input type="checkbox"/>	145RH18	16.5"	NC
<input type="checkbox"/>	145RH19	17"	NC
<input type="checkbox"/>	145RH26	17.5"	NC
<input type="checkbox"/>	145RH20	18"	NC
<input type="checkbox"/>	145RH27	18.5"	NC
<input type="checkbox"/>	145RH21	19"	NC
<input type="checkbox"/>	145RH37	19.5"	NC
<input type="checkbox"/>	145RH22	20"	NC

**REAR WHEEL SIZE (See Figure 7)**

Ultra Lightweight Wheels only available with aluminum anodized handrim  
 Contact Built 4 Me for Spinergy color options

<input type="checkbox"/>	145RW3	20" Mag Wheel	NC
<input type="checkbox"/>	145RW8	22" Mag Wheel	NC
<input type="checkbox"/>	145RW1	24" Mag Wheel	NC
<input type="checkbox"/>	145RW90	20" Lite Spoke Wheel	\$200.00
<input type="checkbox"/>	145RW91	22" Lite Spoke Wheel	\$200.00
<input type="checkbox"/>	145RW92	24" Lite Spoke Wheel	NC
<input type="checkbox"/>	145RW93	25" Lite Spoke Wheel	NC
<input type="checkbox"/>	145RW94	26" Lite Spoke Wheel	\$80.00
<input type="checkbox"/>	145RW77	22" Ultra Lightweight Spoke Wheel	\$250.00
<input type="checkbox"/>	145RW78	24" Ultra Lightweight Spoke Wheel	\$250.00
<input type="checkbox"/>	145RW28	22" Spinergy SPOX Black	\$695.00
<input type="checkbox"/>	145RW42	24" Spinergy SPOX Black	\$695.00
<input type="checkbox"/>	145RW96	25" Spinergy SPOX Black	\$695.00
<input type="checkbox"/>	145RW44	26" Spinergy SPOX Black	\$695.00
<input type="checkbox"/>	145RW32	22" Spinergy LX Black	\$895.00
<input type="checkbox"/>	145RW88	24" Spinergy LX Black	\$895.00
<input type="checkbox"/>	145RW99	25" Spinergy LX Black	\$895.00
<input type="checkbox"/>	145RW40	26" Spinergy LX Black	\$895.00
<input type="checkbox"/>	145RW50	24" Mountain	\$250.00

**REAR WHEEL TIRE (See Figure 7)**

<input type="checkbox"/>	145RT1	E2211 Pneumatic	NC
		E2212	
<input type="checkbox"/>	145RT2	E2211 Pneumatic Airless Insert	\$80.00
		E2213	
<input type="checkbox"/>	145RT3	E2218 Full Poly	NC
<input type="checkbox"/>	145RT6	E2211 High-Pressure Clincher	\$95.00
		E2212	
<input type="checkbox"/>	145RT27	E2211 Knobby V- Trak by Kenda	\$90.00
		E2212	
<input type="checkbox"/>	145RT21	E2211 Schwalbe Marathon Plus Evolution	\$125.00
		E2212	
<input type="checkbox"/>	145RT22	E2218 Kik® Mako Black	\$95.00
<input type="checkbox"/>	145RT12	E2211 Mountain Tire	\$80.00
		E2212	

FIGURE 7

Rear Tire & Wheel Matrix Quickie GT & GTI (Rev O & I)					
Tire	Wheel				
	Mag	Lite Spoke	Ultra Lightweight	Spinergy	Mountain
Pneumatic	20,22,24	20,22,24,26		22,24,26	
Pneumatic Airless Insert	20,22,24	20,22,24		22,24	
Kevlar	24	24		24	
Full Poly Tire	20,22,24	20,22,24			
High-Pressure Clincher		22,24,25,26	22,24,26	22,24,25,26	
Schwalbe Marathon Plus Evol		24,25,26		24,25,26	
Kik® Mako Black	22,24	22,24,25		22,24,25	
Knobby V-TRAK		24		24	
Urban Assault					24, 26
Mountain					24,26

24" = 540 25" = 559 26" = 590

**HANDRIM**

Aluminum and Plastic are available on all wheels in all sizes  
 Natural Fits are available in 22", 24" and 25" sizes

Handrim Selection not applicable with Xtender Power Assist

<input type="checkbox"/>	145HR1	Aluminum Anodized	NC
<input type="checkbox"/>	145HR4	Plastic Coated	\$95.00
<input type="checkbox"/>	145HR22	Natural Fit Standard Grip	\$375.00
<input type="checkbox"/>	145HR23	Natural Fit Super Grip	\$395.00
<input type="checkbox"/>	145HR30	Natural Fit LT Standard Grip	\$375.00
<input type="checkbox"/>	145HR31	Natural Fit LT Super Grip	\$395.00
<input type="checkbox"/>	145HR24	Spinergy Flex Rim	\$525.00
		Available in 24" & 25" LX Spinergy sizes	
<input type="checkbox"/>	145HR8	E0967 8 Oblique Projections	\$240.00
		NA w/ Kik Tires	
		Only available with Mag or Lite Spoke wheels	
<input type="checkbox"/>	145HR7	Omit Handrim	NC
		NA on Ultra Lightweight Spoke Wheels	

**XTENDER POWER ASSIST**

Rear seat height is 18.5" to 20" & 0 camber, NA w/ Amputee Axle, Padded Swing Arms  
 Front To Rear Seat Height Range 0 to 1" difference, 24" wheels only

Not available with XTR or standard rear suspension. Anti-Tips no charge with Xtender

<input type="checkbox"/>	145XT1	E0986 Xtender Power Assist Pneumatic Tire	\$6,595.00
--------------------------	--------	---	------------

**XTENDER POWER ASSIST HANDRIM**

<input type="checkbox"/>	145XH1	3x Torque Multiplier (Plastic Coated)	NC
<input type="checkbox"/>	145XH2	1.5x Torque Multiplier (Stainless Steel)	NC

**XTENDER POWER ASSIST WHEELS**

<input type="checkbox"/>	145XA2	E2211 SPARE 24" Spoke Pneu Alum Handrim	NC
		E2212	
<input type="checkbox"/>	145XA4	E2211 SPARE 24" Spoke Pneu Plastic Handrim	\$90.00
		E2212	

**XTENDER POWER ASSIST ACCESSORIES**

<input type="checkbox"/>	145XA1	Xtender Spare NiMH Power Pack	\$1,395.00
--------------------------	--------	-------------------------------	------------

**AXLE**

<input type="checkbox"/>	145AX1	Quick Release Steel	NC
<input type="checkbox"/>	145AX13	Quad Quick Release	\$90.00
		Only available with Mag wheels	

**AXLE PLATES**

Selection not required for XTR Suspension

<input type="checkbox"/>	145AL40	Standard Short (COG 1" to 4.5")	NC
		Some limitations with STFH. See Figure 8.	
<input type="checkbox"/>	145AL43	Standard Long (COG 1" to 4.5")	NC
<input type="checkbox"/>	145AL37	E0959 Amputee (COG -1" to 2.5")	\$175.00
<input type="checkbox"/>	145AL38	E1015 Suspension (COG-.5 to +3)	\$395.00
		NA with XTR Suspension Frame Style	
<input type="checkbox"/>	145AL39	Xtender (COG 1")	NC

**Rear Suspension Rating**

Selection not required for XTR Suspension

<input type="checkbox"/>	145SV04	From 0 weight to 100 lbs (Yellow)	NC
<input type="checkbox"/>	145SV05	From 101 lbs weight to 190 lbs (Red)	NC
<input type="checkbox"/>	145SV06	From 191 lbs weight to 265 lbs (Blue)	NC

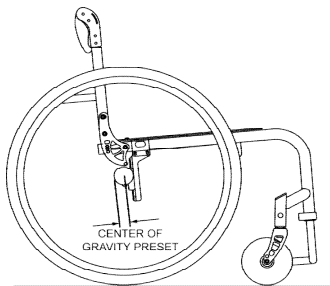
FIGURE 8

		Short Axle Plate- Wheel Size:				
		20	22	24	24 (559)	26
Rear Seat to Floor Height	13	13	14	15	15.5	16
	13.5	13.5	14.5	15.5	16	16.5
	15	15	16	17	17.5	18
	15.5	15.5	16.5	17.5	18	18.5
	16	16	17	18	18.5	19

CAMBER		
6° NA with Mag Wheels. Xtender only available with 0°.		
<input type="checkbox"/> 145C11	0°	NC
<input type="checkbox"/> 145C12	3°	NC
<input type="checkbox"/> 145C13	4°	NC
<input type="checkbox"/> 145C14	6°	NC
<input type="checkbox"/> 145C15	8°	NC

CENTER OF GRAVITY PRESET (Figure 9)		
Measure from front of back post to center of rear axle		
XTR Suspension Frame will be factory set at 1.5", Xtender 1"		
<input type="checkbox"/> 145CC11	-1"	NC
<input type="checkbox"/> 145CC10	-.5"	NC
<input type="checkbox"/> 145CC12	0"	NC
<input type="checkbox"/> 145CC1	.5"	NC
<input type="checkbox"/> 145CC2	1"	NC
<input type="checkbox"/> 145CC3	1.5"	NC
<input type="checkbox"/> 145CC4	2"	NC
<input type="checkbox"/> 145CC5	2.5"	NC
<input type="checkbox"/> 145CC6	3"	NC
<input type="checkbox"/> 145CC7	3.5"	NC
<input type="checkbox"/> 145CC8	4"	NC
<input type="checkbox"/> 145CC9	4.5"	NC

FIGURE 9



BACK TYPE		
<input type="checkbox"/> 145BT3	Non-Folding Backrest	NC
<input type="checkbox"/> 145BT82	Folding Lock Down Angle Adjustable	NC

HEIGHT ADJUSTABLE BACKREST		
<input type="checkbox"/> 145B110	10" - 14" Back Height	NC
<input type="checkbox"/> 145B127	12" - 16" Back Height	NC
<input type="checkbox"/> 145B111	14" - 18" Back Height	NC
<input type="checkbox"/> 145B137	16" - 20" Back Height	NC

BACKREST UPHOLSTERY		
<input type="checkbox"/> 145BU1	Standard	NC
<input type="checkbox"/> 145BU8	Adjustable	\$175.00
<input type="checkbox"/> 145BU57	Vented Adjustable	\$200.00
<input type="checkbox"/> 145BU14	Omit Upholstery (Use with Jay backs)	-\$15.00

JAY BACK (OPTIONAL)		
<input type="checkbox"/> 145JB01	Jay J3 Back (See J3 Back Order Form)	See OF

MILITARY SERVICE PATCHES (OPTIONAL)		
Only available on tension adjustable upholstery and J3 Back		
<input type="checkbox"/> 145VU1	Marines Patch	\$90.00
<input type="checkbox"/> 145VU2	Army Patch	\$90.00
<input type="checkbox"/> 145VU3	Navy Patch	\$90.00
<input type="checkbox"/> 145VU4	Air Force Patch	\$90.00
<input type="checkbox"/> 145VU5	Purple Heart Patch	\$90.00
<input type="checkbox"/> 145VU8	Purple Heart with Marines Patch	\$145.00
<input type="checkbox"/> 145VU9	Purple Heart with Army Patch	\$145.00
<input type="checkbox"/> 145VU10	Purple Heart with Navy Patch	\$145.00
<input type="checkbox"/> 145VU11	Purple Heart with Air Force Patch	\$145.00

PUSH HANDLES		
<input type="checkbox"/> 145PH6	Integral Push Handles	NC
<input type="checkbox"/> 145PH5	Fold-Down Push Handles	\$100.00
NA with 10-14" Back Height or Standard Upholstery.		
<input type="checkbox"/> 145PH2	Omit Push Handles	NC

PADDED SWING AWAY ARMREST		
Includes angle adjustable receiver hardware. NA with Xtender		
Some limitations may exist with integral push handles, some RSTFHs and wheel sizes		
<input type="checkbox"/> 145AA18	E0973 Padded S/A Standard (Set at 10")	\$175.00

HEIGHT ADJUSTABLE ARMREST		
<input type="checkbox"/> 145AA11	E0973 Single Post Ht. Adjust. Std (8.5"-13.5")	\$260.00
<input type="checkbox"/> 145AA29	E0973 Single Post Ht. Adjust. Low (7"-11")	\$260.00

HEIGHT ADJUSTABLE ARM PAD		
Suggest using Classic model for Tray Tables		
<input type="checkbox"/> 145AM23	Desk Length - Classic (10")	NC
<input type="checkbox"/> 145AM21	Desk Length - Contour (10")	NC
<input type="checkbox"/> 145AM24	Full Length - Classic (14")	NC
<input type="checkbox"/> 145AM22	Full Length - Contour (14")	NC

WHEEL LOCK		
XTR Suspension Frame only available with High Mount Push		
Not all wheel locks available in all seat depths, wheel sizes and COG settings		
<input type="checkbox"/> 145WL1	High Mount Push	NC
<input type="checkbox"/> 145WL2	High Mount Pull	NC
<input type="checkbox"/> 145WL27	Ergo Scissor	NC
<input type="checkbox"/> 145WL30	Compact	\$125.00
<input type="checkbox"/> 145WL10	Omit Wheel Lock	NC
<input type="checkbox"/> 145WL12	Do Not Mount	NC

EXTENSION HANDLE		
Only available w/ High Mount Push or Pull Wheel Locks		
<input type="checkbox"/> 145EH1	E0961 6" (Pair)	\$75.00

GRADE AID		
Only available w/ High Push, Pull Wheel Locks. NA with clincher, poly, KIK or Schwalb		
<input type="checkbox"/> 145GA1	E0974 Grade Aid	\$150.00

REAR ANTI-TIP		
<input type="checkbox"/> 145AT1	E0971 Rear Anti-Tip (Pair) (Required w/ Xtender)	\$135.00
<input type="checkbox"/> 145AT3	Omit Rear Anti-Tip	NC

SEAT SLING		
<input type="checkbox"/> 145SL1	Standard Seat Sling	NC
<input type="checkbox"/> 145SL6	Omit Seat Sling	-\$15.00

CUSHION		
<input type="checkbox"/> 145CU1	2" Cushion	\$95.00

JAY CUSHION		
To order any of the following JAY cushions on-chair, please see the Jay Price List		
<input type="checkbox"/> 145JC01	Jay Basic (E2601 or E2602)	Price List
<input type="checkbox"/> 145JC02	Jay Easy (E2607 or E2608)	Price List
<input type="checkbox"/> 145JC03	Jay Soft Combi P (E2605 or E2608)	Price List
<input type="checkbox"/> 145JC04	Jay J2 (K0734 or K0735)	Price List
<input type="checkbox"/> 145JC05	Jay J2 Deep Contour (K0734 or K0735)	Price List
<input type="checkbox"/> 145JC06	Jay Lite (E2603 or E2607)	Price List
<input type="checkbox"/> 174JC07	Jay J3 (K0734/5 or K0736/7)	Price List

**SIDE GUARD**

All side guards NA w/ Height Adj. Arms

Some interference may exist w/ padded SA arms at lowest settings

<input type="checkbox"/>	145SG33	K0108	Plastic Standard	\$125.00
<input type="checkbox"/>	145SG29	K0108	Plastic Low	\$125.00
<input type="checkbox"/>	145SG12	K0108	Carbon Fiber	\$450.00

NA with High Push, Pull, or Unilateral Wheel Lock

**BACKPACK**

<input type="checkbox"/>	145A1		Quickie Backpack Black	\$55.00
<input type="checkbox"/>	145A2		Quickie Kids Backpack Black	\$50.00

**SEAT POUCH**

<input type="checkbox"/>	145A8		Quickie Seat Pouch Black	\$45.00
--------------------------	-------	--	--------------------------	---------

**ADDITIONAL COVER & PACK ACCESSORIES**

<input type="checkbox"/>	145A500		Gel Cover Hanger/Frame	\$105.00
<input type="checkbox"/>	145A994		Gel Cover Swing Away Arm	\$105.00

**POSITIONING BELT**

<input type="checkbox"/>	145A142	E0978	Belt 1.5" Auto Buckle Universal	\$70.00
<input type="checkbox"/>	145A12	E0978	Belt 2" Aircraft Buckle	\$110.00
<input type="checkbox"/>	145A13	E0978	Belt 2" Aircraft Buckle Padded	\$120.00

**SPOKE GUARD**

<input type="checkbox"/>	145A23	K0065	Quickie Black Spoke guard	\$115.00
<input type="checkbox"/>	145A302	K0065	Quickie "Q" Clear Spoke Guard	\$115.00

**MISCELLANEOUS**

<input type="checkbox"/>	145A32	E0950	Wheelchair Tray	\$250.00
<input type="checkbox"/>	145IG6		Neoprene Impact Guards	\$85.00
<input type="checkbox"/>	145A51	E2207	Crutch Holder	\$195.00
			<i>Only available with Integral or Fold Down push handles</i>	
<input type="checkbox"/>	145A85		Bolt-On Push Handles	\$115.00
<input type="checkbox"/>	145A96		Presta Valve Adapter	\$5.00
<input type="checkbox"/>	145A83		Tool Kit	\$45.00

See **SUNPARTS Online "ACCESSORIES" Section for more choices!**

**FRAME COLOR**

<input type="checkbox"/>	145C2		Black	NC
<input type="checkbox"/>	145C10		Black Opal	NC
<input type="checkbox"/>	145C38		Blue Opal	NC
<input type="checkbox"/>	145C36		Candy Blue	NC
<input type="checkbox"/>	145C35		Candy Red	NC
<input type="checkbox"/>	145C128		Copper	NC
<input type="checkbox"/>	145C6		Forest Green	NC
<input type="checkbox"/>	145C127		Fuchsia	NC
<input type="checkbox"/>	145C126		Glow	NC
<input type="checkbox"/>	145C4		Midnight Purple	NC
<input type="checkbox"/>	145C5		Pearl Pink	NC
<input type="checkbox"/>	145C103		Rootbeer	NC
<input type="checkbox"/>	145C114		Sparkle Silver	NC
<input type="checkbox"/>	145C113		Titanium Color Paint	NC
<input type="checkbox"/>	145C11		Toxic Green	NC
<input type="checkbox"/>	145C8		Yellow	NC

**CUSTOM FRAME COLOR**

<input type="checkbox"/>	145C112		Desert Camouflage	\$295.00
<input type="checkbox"/>	145C43		Mossy Oak Camouflage	\$295.00
<input type="checkbox"/>	145C42		Stars & Stripes	\$295.00
<input type="checkbox"/>	145C108		Zebra (choose base color above)	\$295.00

Std w/ white unless paint color is chosen, NA w/ Black

**ANODIZED COLOR PACKAGE**

Camber Tubes are Titanium Grey except for the Black option. Frog Legs and Single Side forks black only. Black only with Amputee, Xtender, Suspension axle plates.

<input type="checkbox"/>	145EB02	Black	NC
<input type="checkbox"/>	145EB06	Blue	\$135.00
<input type="checkbox"/>	145EB05	Green	\$135.00
<input type="checkbox"/>	145EB04	Purple	\$135.00
<input type="checkbox"/>	145EB03	Red	\$135.00
<input type="checkbox"/>	145EB01	Titanium Grey	\$135.00

**Quickie GT Weight Matrix**  
Section A - Base Wheelchair Weight

GT BASE CHAIR WEIGHT (LBS)									
DEPTH	WIDTH								
	12	13	14	15	16	17	18	19	20
12	16.69	16.82	16.94	17.07	17.19	17.32	17.45	17.57	17.70
13	16.72	16.85	16.97	17.10	17.22	17.35	17.48	17.60	17.73
14	16.75	16.88	17.00	17.13	17.25	17.38	17.51	17.63	17.76
15	16.78	16.91	17.03	17.16	17.28	17.41	17.54	17.66	17.79
16	16.81	16.94	17.06	17.19	17.31	17.44	17.57	17.69	17.82
17	16.84	16.97	17.09	17.22	17.34	17.47	17.60	17.72	17.85
18	16.87	17.00	17.12	17.25	17.37	17.50	17.63	17.75	17.88
19	16.90	17.03	17.15	17.28	17.40	17.53	17.66	17.78	17.91
20	16.93	17.06	17.18	17.31	17.43	17.56	17.69	17.81	17.94

Base Chair Includes:	
Front Caster:	4" Low Profile Poly
Fork:	Short Fork
GT Foot Rest:	Aluminum Tubular
Rear Wheel:	24" Lite Spoke Wheel
Tire:	High-Pressure Clincher
Handrim:	Aluminum Anodized
Axle:	Standard Long
Backrest:	12" Back Height
Upholstery:	Standard
Push Handle:	No Push Handles

Section B - Base Wheelchair Weight

To determine wheelchair weight, add or subtract component weights

Component	Lbs	Component (cont.)	Lbs	Component (cont.)	Lbs
<b>XTR HARDWARE</b>		<b>Rear Wheel (Pair)</b>		<b>Backrest UPH</b>	
XTR HARDWARE	4.77	20" Mag Wheel	0.82	Standard	0.00
<b>DAB</b>		22" Mag Wheel	1.32	Adjustable	1.35
With Padded S/A Armrest	0.95	24" Mag Wheel	1.78	Vented Adjustable	0.41
With Out Padded S/A Armrest	0.52	20" Lite Spoke Wheel	-0.47	Omit Upholstery	-0.65
<b>Caster Wheels (Pair)</b>		22" Lite Spoke Wheel	-0.21	<b>Armrests (Pair)</b>	
3" Micro	-0.06	24" Lite Spoke Wheel	0.00	Padded S/A Standard	2.51
4" Low Profile Poly	0.00	25" Lite Spoke Wheel	0.07	Height Adjustable Standard	4.22
4" Micro Lighted	0.29	26" Lite Spoke Wheel	0.27	Height Adjustable Low	3.65
4" x 1" Aluminum Poly	0.03	22" Ultra Lightw eight Spoke Wheel	-1.98	<b>Armrest Pads (Pair)</b>	
4" x 1.25" Semi Pneu	0.19	24" Ultra Lightw eight Spoke Wheel	-1.38	Desk Length - Classic	2.22
4 x 1.5" Aluminum Soft Roll	0.57	22" Spinerger SPOX Black	-0.41	Desk Length - Contour	1.14
5" Low Profile Poly	0.40	24" Spinerger SPOX Black	-0.13	Full Length - Classic	2.73
5" Micro Lighted	0.72	25" Spinerger SPOX Black	0.15	Full Length - Contour	1.50
5" Soft Roll (Grey)	1.20	26" Spinerger SPOX Black	0.43	<b>Wheel Lock (Pair)</b>	
5" x 1" Aluminum Poly	0.42	22" Spinerger LX Black	-0.62	High Mount Push	0.88
5" x 1.5" Semi Pneu	0.54	24" Spinerger LX Black	-0.50	High Mount Pull	0.88
5" x 1.5" Aluminum Soft roll	1.04	25" Spinerger LX Black	-0.37	Ergo Scissor	0.72
6" Poly	0.67	26" Spinerger LX Black	-0.23	Compact	0.52
6" x 1.5" Semi Pneu	0.88	24" Mountain	2.97	Omit Wheel Lock	0.00
6"x 1.5" Aluminum Soft Roll	1.35	<b>Rear Tires (Pair)</b>		<b>Wheel Lock Clamps (Pair)</b>	
<b>Caster Forks (Pair)</b>		Pneumatic	1.30	Short Clamp	0.42
Short Fork	0.00	Pneumatic Airless Insert	3.30	Long Clamp	0.52
Short Wide Fork	0.15	Full Poly	2.00	<b>Wheel Lock Extension Handle</b>	
Tall Wide Fork	0.18	High-Pressure Clincher	0.00	6" Pair	0.10
Single Sided Fork	0.09	Knobby V-Trak by Kenda	2.19	<b>Grade Aide</b>	
Frog Legs	0.01	Schw albe Marathon Plus Evolution	2.25	Grade Aide	0.52
<b>Caster Stems (Pair)</b>		Kik Mako Black	2.42	<b>Rear Anti-tip</b>	
Caster Bolt Short	0.00	Mountain Tire	2.84	Quick Release Anti-Tip	1.15
Caster Bolt Medium	0.11	<b>Handrims (Pair)</b>		Omit Anti Tip	0.00
Caster Bolt Long	0.22	Aluminum Anodized	0.00	<b>Seat Sling</b>	
<b>Aluminum Foot Rest</b>		Plastic Coated	1.60	Standard Seat Sling	0.00
Aluminum Tubular	0.11	Natural Fit Standard Grip	1.95	Omit Seat Sling	-0.80
Aluminum Tubular Long	0.18	Natural Fit Super Grip	1.95	<b>Seat Cushion</b>	
Aluminum Tubular w /Flat Cover	0.34	Natural Fit LT Standard Grip	1.57	2" Cushion	1.26
Aluminum Tubular Long w /Flat Cover	0.41	Natrual Fit LT Super Grip	1.57	Omit Cushion	0.00
Aluminum Platform	0.74	Spinerger Flex Rim	3.91	<b>Side Guard</b>	
Aluminum Platform Long	0.81	8 Oblique Projections	1.90	Plastic Standard	1.81
High Mount Platform	1.19	Omit Handrim	-1.45	Plastic Low	1.42
High Mount Platform Long	1.27	<b>Axles (Pair)</b>		Carbon Fiber	0.92
<b>Footrest Options</b>		Quick Release (Light Spoke Wheel) (MB)	0.00	No Side Guard	0.00
Removable Snap On Cover (16" Wide)	0.24	Quick Release (Spinerger, Ultra-Light)	0.03	<b>Accessories</b>	
Wear Pads (ea) Need 2 per chair	0.02	Quick Release (Mag Wheels)	0.00	Quickie Backpack	0.45
Adaptive Platform 2" Spacer	0.16	Quad Quick Release	0.13	Quickie Backpack Kids	0.25
Adaptive Platform 4" Spacer	0.34	<b>Axle Plates (Pair)</b>		Quickie Seat Pouch	0.20
Adaptive Platform 6" Spacer	0.52	Standard Long	0.00	Belt 2" Aircraft Buckle	0.44
No Foot Rest Options	0.00	Standard Short	-0.09	Belt 2" Aircraft Buckle Padded	0.60
<b>Leg Strap</b>		Amputee	0.48	Belt 1.5" Auto Buckle Universal	0.38
No Leg Strap	-0.15	Xtender	2.88	Quickie Black Spoke Guard	1.12
Leg Strap (10-14")	0.00	Suspension	0.87	Quickie "Q" Clear Spoke Guard	1.70
Leg Strap (15-17")	0.00	<b>Back Type</b>		Neoprene Impact Guards	0.11
Leg Strap (18-20")	0.01	Non-Folding Backrest	-0.05	Crutch Holder	0.57
<b>Back Rest Type</b>		Angle Adj. Folding Lock Dow n Back	0.00	Wheelchair Tray	6.50
Alum Standard 16" Wide	0.27	<b>Push Handles (Pair)</b>		Position Plate for Aluminum Footrest	1.04
Alum Tall 16" Wide	0.40	Integral Push Handles Short	0.49	Xtra Leg Strap	0.15
Titanium 10" Back Height	-0.07	Integral Push Handles Medium	0.56		
Titanium 11" Back Height	-0.04	Integral Push Handles Tall	0.63		
Titanium 12" Back Height	0.00	Fold-Dow n PH 12"-16" & 14"-18"	1.00		
Titanium 13" Back Height	0.04	Fold-Dow n Push Handles 16"-20"	1.08		
Titanium 14" Back Height	0.07	Omit Push Handle 10"-14"	0.33		
Titanium 15" Back Height	0.11	Omit Push Handle 12"-16"	0.39		
Titanium 16" Back Height	0.14	Omit Push Handle 14"-18"	0.46		
		Omit Push Handle 16"-20"	0.53		
		No Push Handles	0.00		