



Quickie Kidz Bike

EIQKB, Effective October 10, 2008

ACCOUNT INFORMATION

Account No: _____	Drop Ship/Ship To: _____
Date: _____	Name: _____
P.O. #: _____	Address: _____
Buyer: _____	City: _____ State: _____
Marked For: _____	Zip Code: _____ Phone Number: _____

QUICKIE Kidz Bike
CONSUMER INFORMATION:
 AGE: _____
 WEIGHT: _____
 HEIGHT: _____
 DISABILITY LEVEL/TYPE: _____
 TYPE AND HEIGHT OF CUSHION TO BE USED: _____

 PLEASE EXPLAIN ANY IMPAIRMENT OF ARM OR HAND FUNCTION

Seat Depth (Adjustable) ¹

<input type="checkbox"/> 072SD3	10"	NC
<input type="checkbox"/> 072SD4	11"	NC
<input type="checkbox"/> 072SD5	12"	NC
<input type="checkbox"/> 072SD6	13"	NC
<input type="checkbox"/> 072SD7	14"	NC

Hand Crank Height

<input type="checkbox"/> 072HH2	Standard (15"-20")	NC
---------------------------------	--------------------	----

Crank

<input type="checkbox"/> 072HY8	Easy Power Quad Handle	\$45.00
<input type="checkbox"/> 072HY4	Horizontal Handle	\$45.00
<input type="checkbox"/> 072HY6	Vertical Handle Small	NC

SEATING
Cushion

<input type="checkbox"/> 072CU1	2" Seat Cushion	\$95.00
---------------------------------	-----------------	---------

Back Type (Angle Adjustable)

<input type="checkbox"/> 072BT1	Folding Backrest	\$60.00
<input type="checkbox"/> 072BT3	Non Folding Backrest	NC

Back Height

<input type="checkbox"/> 072B33	13"	NC
<input type="checkbox"/> 072B34	15"	NC

FOOTREST
Extension Tube

<input type="checkbox"/> 072E4	Standard (7.5"-12")	NC
--------------------------------	---------------------	----

Footrest

<input type="checkbox"/> 072F31	Angle Adj Flip-up w/ Toe Loops	NC
---------------------------------	--------------------------------	----

AXLE AND WHEEL
Axle

<input type="checkbox"/> 072AX1	Quick Release	\$65.00
<input type="checkbox"/> 072AX17	Threaded	NC

Rear Wheel Rim/Size

<input type="checkbox"/> 072RW4	20" Spoke	\$110.00
<input type="checkbox"/> 072RW3	20" Mag	NC

Rear Wheel Tire

<input type="checkbox"/> 072RT10	Knobbie Tire	\$40.00
<input type="checkbox"/> 072RT9	Pneumatic Tire Black	NC

Front Wheel Rim/Size

<input type="checkbox"/> 072FR9	20" Front Wheel Spoke	NC
---------------------------------	-----------------------	----

Front Wheel Tire

<input type="checkbox"/> 072FW2	Front Tire Black Pneumatic	NC
<input type="checkbox"/> 072FW4	Front Tire Knobbie	\$25.00

ACCESSORIES

<input type="checkbox"/> 072A1	Black Utility Backpack	\$55.00
<input type="checkbox"/> 072A2	Black/Charcoal Backpack	\$45.00

FRAMES
DIMENSIONS FROM DRAWING
 Dimensions must be complete for proper fit. (See page 2)
 A. Top of Shoulder to Center of Palm: _____"
 B. Top of Shoulder to Seat: _____"
 C. Lower Leg Length: _____"
 D. Upper Leg Length: _____"
 E. Hip Width (Side to Side): _____"

Gears

<input type="checkbox"/> 072SE1	1 Speed	\$1,250.00
<input type="checkbox"/> 072SE2	3 Speed	\$1,834.00

Frame Color

<input type="checkbox"/> 072C2	Black	NC
<input type="checkbox"/> 072C10	Black Opal	NC
<input type="checkbox"/> 072C10	Blue	NC
<input type="checkbox"/> 072C10	Blue Opal	NC
<input type="checkbox"/> 072C12	Blue Velvet	NC
<input type="checkbox"/> 072C12	Candy Blue	NC
<input type="checkbox"/> 072C12	Candy Red	NC
<input type="checkbox"/> 072C12	Candy Turquoise	NC
<input type="checkbox"/> 072C6	Forest Green	NC
<input type="checkbox"/> 072C4	Midnight Purple	NC
<input type="checkbox"/> 072C4	Orange	NC
<input type="checkbox"/> 072C40	Razzleberry	NC
<input type="checkbox"/> 072C5	Pearl Pink	NC
<input type="checkbox"/> 072C11	Toxic Green	NC
<input type="checkbox"/> 072C8	Yellow	NC

Seat Width

<input type="checkbox"/> 072W3	12"	NC
<input type="checkbox"/> 072W4	13"	NC
<input type="checkbox"/> 072W5	14"	NC

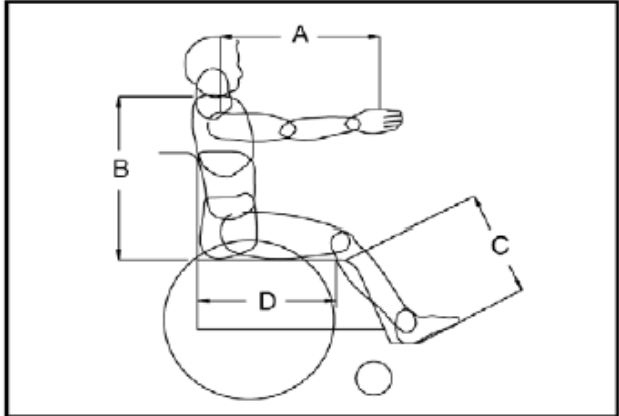
FOOTNOTES:
¹ Seat depth is adjustable. Please select factory setting.

Seat Pouch			
<input type="checkbox"/>	072A11	Black	\$45.00
Helmet			
<input type="checkbox"/>	072A59	Medium Black	\$65.00
<input type="checkbox"/>	072A60	Medium White	\$65.00
<input type="checkbox"/>	072A57	Large Black	\$65.00
<input type="checkbox"/>	072A58	Large White	\$65.00
Chest Strap (Choose width and depth)			
Width			
<input type="checkbox"/>	072A104	2" Wide	\$45.00
<input type="checkbox"/>	072A107	4" Wide	\$45.00
Depth			
<input type="checkbox"/>		36" Length Short	NC
<input type="checkbox"/>		48" Length Regular	NC
Miscellaneous			
<input type="checkbox"/>	072SG4	Plastic Side Guard (Kids) ¹	\$120.00
<input type="checkbox"/>	072A98	Tire Pump	\$80.00
<input type="checkbox"/>	072A99	Water bottle with Cage	\$20.00
Tire Sealer			
<input type="checkbox"/>	072NF3	Front (No Flats)	\$15.00
<input type="checkbox"/>	072NF1	Rear (No Flats)	\$30.00

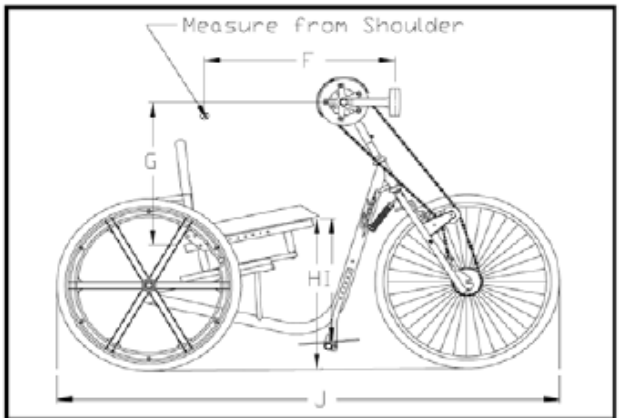
TOTAL CHAIR PRICE \$

FOOTNOTES:

¹ Not available with 10" seat depth.



****Note: These Dimensions are required for set up.**



Note: G Dimension = 15"-20" *
 H Dimension = 17.5"
 I Dimension = 7.5"-12" *
 J Dimension = 55"
 F Dimension = 19"-27" *

* Range Varies by Seat Depth