



Quickie Mach 2

EIM2, Effective July 2009

ACCOUNT INFORMATION

Account No: _____ Drop Ship/Ship To: _____
 Date: _____ Name: _____
 P.O. #: _____ Address: _____
 Buyer: _____ City: _____ State: _____
 Marked For: _____ Zip Code: _____ Phone Number: _____

QUICKIE Mach 2

CONSUMER INFORMATION:
 AGE: _____
 WEIGHT: _____
 HEIGHT: _____
 DISABILITY LEVEL/TYPE: _____
 TYPE AND HEIGHT OF CUSHION TO BE USED: _____
 PLEASE EXPLAIN ANY IMPAIRMENT OF ARM OR HAND FUNCTION

Speed
 048SE3 7 Speed \$2,250.00

FRAMES

DIMENSIONS FROM DRAWING
 Dimensions must be complete for proper fit. (See page 2)

A. Top of Shoulder to Center of Palm: _____"
 B. Top of Shoulder to Seat: _____"
 C. Lower Leg Length: _____"
 D. Upper Leg Length: _____"
 E. Hip Width (Side to Side): _____"

FRAME COLOR

<input type="checkbox"/> 048C2	Black	NC
<input type="checkbox"/> 048C10	Black Opal	NC
<input type="checkbox"/> 048C1	Blue	NC
<input type="checkbox"/> 048C38	Blue Opal	NC
<input type="checkbox"/> 048C12	Blue Velvet	NC
<input type="checkbox"/> 048C36	Candy Blue	NC
<input type="checkbox"/> 048C35	Candy Red	NC
<input type="checkbox"/> 048C39	Candy Turquoise	NC
<input type="checkbox"/> 048C6	Forest Green	NC
<input type="checkbox"/> 048C4	Midnight Purple	NC
<input type="checkbox"/> 048C37	Orange	NC
<input type="checkbox"/> 048C5	Pearl Pink	NC
<input type="checkbox"/> 048C40	Razzleberry	NC
<input type="checkbox"/> 048C11	Toxic Green	NC
<input type="checkbox"/> 048C8	Yellow	NC

CUSTOM COLORS

<input type="checkbox"/> 048C41	Berry Vibrations	\$295.00
<input type="checkbox"/> 048C20	Graphite	\$295.00
<input type="checkbox"/> 048C42	Stars and Stripes	\$295.00
<input type="checkbox"/> 048C43	Mossy Oak Camouflage	\$295.00
<input type="checkbox"/>	Woodland Camouflage	\$295.00
<input type="checkbox"/>	Desert Camouflage	\$295.00
<input type="checkbox"/>	Digital Woodland Camouflage	\$295.00
<input type="checkbox"/>	Digital Desert Camouflage	\$295.00
<input type="checkbox"/>	Digital Camouflage	\$295.00

Frame Width ¹

<input type="checkbox"/> 048W4	13"	NC
<input type="checkbox"/> 048W5	14"	NC
<input type="checkbox"/> 048W6	15"	NC

Frame Width (Continued)

<input type="checkbox"/> 048W7	16"	NC
<input type="checkbox"/> 048W8	17"	NC
<input type="checkbox"/> 048W9	18"	NC
<input type="checkbox"/> 048W10	19"	NC
<input type="checkbox"/> 048W11	20"	NC

Frame Length

<input type="checkbox"/> 048FL15	Standard	NC
<input type="checkbox"/> 048FL3	Short	NC

Adjustable Sling Depth

<input type="checkbox"/> 048SD5	12"	NC
<input type="checkbox"/> 048SD6	13"	NC
<input type="checkbox"/> 048SD7	14"	NC
<input type="checkbox"/> 048SD8	15"	NC
<input type="checkbox"/> 048SD9	16"	NC

Seat Height

<input type="checkbox"/> 048HT19	Standard	NC
<input type="checkbox"/> 048HT20	Tall	\$75.00

Hand Crank Height

<input type="checkbox"/> 048HH2	Standard	NC
<input type="checkbox"/> 048HH1	Short	NC

Crank

<input type="checkbox"/> 048HY8	Easy Power Quad Handle	\$45.00
<input type="checkbox"/> 048HY4	Horizontal Handle	\$45.00
<input type="checkbox"/> 048HY5	Vertical Handle	NC
<input type="checkbox"/> 048HY6	Vertical Handle Small	NC

Handle Position

<input type="checkbox"/> 048HP2	Handle Position Crank	NC
<input type="checkbox"/> 048HP1	Handle Position Row	NC

SEATING

Cushion

<input type="checkbox"/> 048CU1	2" Seat Cushion	\$95.00
---------------------------------	-----------------	---------

Back Type

<input type="checkbox"/> 048BT1	Folding Backrest	\$60.00
<input type="checkbox"/> 048BT3	Non Folding Backrest	NC

Back Height

<input type="checkbox"/> 048B40	21"	NC
<input type="checkbox"/> 048B37	18"	NC
<input type="checkbox"/> 048B34	15"	NC

FOOTREST

Adjustable Extension Tube

<input type="checkbox"/> 048E4	Standard	NC
<input type="checkbox"/> 048E1	Short	NC

Footrest

<input type="checkbox"/> 048F3	Adult Angle Adj footplate	NC
--------------------------------	---------------------------	----

Footrest Accessories

<input type="checkbox"/> 048A110	Toe Loop	NC
----------------------------------	----------	----

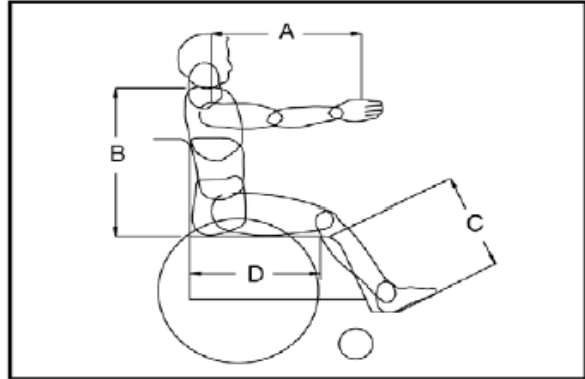
FOOTNOTES:

¹ Seat width should be the same as the rider's present wheel chair width.

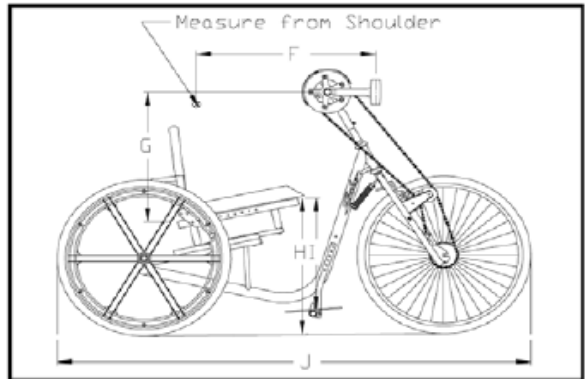
AXLE AND WHEEL

Axle		
<input type="checkbox"/>	048AX1 Quick Release	\$65.00
<input type="checkbox"/>	048AX17 Threaded	NC
Rear Wheel Size		
<input type="checkbox"/>	048WS6 24"	NC
<input type="checkbox"/>	048WS7 26" ^{1,2}	\$60.00
Rear Wheel Tire		
<input type="checkbox"/>	048RT6 High Pressure Clincher Tire ²	NC
<input type="checkbox"/>	048RT11 Off Road Tire	\$40.00
<input type="checkbox"/>	048RT9 Pneumatic Tire Black	NC
Rear Wheel Rim		
<input type="checkbox"/>	048RR1 Mag ³	NC
<input type="checkbox"/>	048RR3 Spoke	\$110.00
Front Wheel Rim/Size		
<input type="checkbox"/>	048FR4 24"	NC
<input type="checkbox"/>	048FR5 26" ²	\$35.00
Front Wheel Tire		
<input type="checkbox"/>	048FW1 High Pressure Clincher	NC
<input type="checkbox"/>	048FW5 Off Road (Knobbie)	\$25.00
<input type="checkbox"/>	048FW2 Black Pneumatic	NC
ACCESSORIES		
<input type="checkbox"/>	048A1 Black Utility Backpack	\$55.00
<input type="checkbox"/>	048A105 Chest Strap 2" (60" Length)	\$45.00
<input type="checkbox"/>	048A107 Chest Strap 4" (54" Length)	\$45.00
<input type="checkbox"/>	048A104 Chest Strap 2" (54" Length)	\$45.00
<input type="checkbox"/>	048A108 Chest Strap 4" (60" Length)	\$45.00
<input type="checkbox"/>	048A95 Computer with Cadence	\$190.00
<input type="checkbox"/>	048A93 Front Fender ⁴	\$50.00
<input type="checkbox"/>	048A61 Helmet Large/XL Black	\$65.00
<input type="checkbox"/>	048A62 Helmet Large/XL White	\$65.00
<input type="checkbox"/>	048A63 Helmet Medium/Large Black	\$65.00
<input type="checkbox"/>	048A64 Helmet Medium/Large White	\$65.00
<input type="checkbox"/>	048SG3 Plastic Side Guard Regular	\$120.00
<input type="checkbox"/>	048SG4 Plastic Side Guard Kids	\$120.00
<input type="checkbox"/>	048A22 Positioning Belt 40" velcro	\$50.00
<input type="checkbox"/>	048A21 Positioning Belt 34" velcro	\$50.00
<input type="checkbox"/>	048A11 Seat Pouch with Silk Screen	\$40.00
<input type="checkbox"/>	048A98 Tire Pump	\$80.00
<input type="checkbox"/>	048A84 Tool Kit with Pouch	\$95.00
<input type="checkbox"/>	048A100 Tow Bar	\$85.00
<input type="checkbox"/>	048TH2 Transfer Handle Right Side	\$20.00
<input type="checkbox"/>	048TH1 Transfer Handle Both Sides	\$35.00
<input type="checkbox"/>	048TH3 Transfer Handle Left Side	\$20.00
<input type="checkbox"/>	048A99 Water bottle with Cage	\$20.00
Tire Sealer		
<input type="checkbox"/>	048NF3 Front (No Flats)	\$15.00
<input type="checkbox"/>	048NF1 Rear (No Flats)	\$30.00

TOTAL CHAIR PRICE \$



****Note: These Dimensions are required for set up.**



Standard Frame:
 J = 65" ; F = 23" - 30" ; I = 13.25" - 17"
Short Frame:
 J = 63" ; F = 21" - 28" ; I = 11" - 14.5"

FOOTNOTES:

- ¹ When ordering 26" front wheels must also order 26" rear wheels.
- ² Only available with spoke wheels.
- ³ Only available with 24" wheels.
- ⁴ Not available with Knobbie Tires.