



# Quickie LXI/LX

EILX/EILXI, Effective July 2010

ACCOUNT #: \_\_\_\_\_ SHIP TO: \_\_\_\_\_

DATE: \_\_\_\_\_ NAME: \_\_\_\_\_

P.O. #: \_\_\_\_\_ ADDRESS: \_\_\_\_\_

BUYER: \_\_\_\_\_ CITY/ STATE: \_\_\_\_\_

MARKED FOR: \_\_\_\_\_ ZIP CODE: \_\_\_\_\_ PHONE NUMBER: \_\_\_\_\_

The HCPCS codes provided are based on code verification by the PDAC or our interpretation of the code definitions.  
 Proper use of HCPCS codes does not ensure coverage or payment. For coverage information, verify the appropriate payor's coverage policy.

### BASE MODEL

- 065WM31 K0005 Quickie LXI (Adjustable Axle Plate) \$950.00  
265 lb. Weight Capacity
- 065WM30 K0004 Quickie LX (Non Adjustable Axle Plate) \$935.00  
250 lb. Weight Capacity

### TRANSIT OPTION

- 065TO1 Transit System \$315.00  
Includes Stabilizer Bar, only available on LXI  
NA with padded swing-away armrests

### FRAME WIDTH

- 065W3 12" NC
- 065W4 13" NC
- 065W5 14" NC
- 065W6 15" NC
- 065W7 16" NC
- 065W8 17" NC
- 065W9 18" NC
- 065W41 19" \$125.00
- 065W11 E2201 20" \$450.00

### SEAT DEPTH

- 065SD5 12" NC  
NA w/ 8" casters or 24" wheels
- 065SD6 13" NC  
NA w/ 8" casters or 24" wheels
- 065SD7 14" NC  
NA with 8" casters or 24" wheels
- 065SD8 15" NC
- 065SD9 16" NC
- 065SD10 17" NC
- 065SD11 18" NC
- 065SD74 19" \$125.00
- 065SD13 E2203 20" \$475.00

### FRONT SEAT HEIGHT

Rear STFH ranges from 0" to 1 1/2" lower than Front STFH

- 065SH12 15" NC
- 065SH13 15.5" NC
- 065SH14 16" NC
- 065SH15 16.5" NC
- 065SH16 17" NC
- 065SH17 17.5" NC
- 065SH18 18" NC
- 065SH20 18.5" NC
- 065SH21 19" NC
- 065SH23 19.5" NC
- 065SH24 20" NC
- 065SH26 20.5" NC

### FRONT SEAT TO FLOOR HEIGHT MATRIX

Heights are based on an LXI w/ adjustable axle plate only

Wheel	FRONT SEAT HEIGHT ORDERING GUIDE				
	Caster				
	4"	5"	6"	8" POLY	8"x2"PNU
20"	15.0	15.0	16.0		18.0
	15.5	16.0	16.5		
	16.0	16.5	17.0		
	16.5	17.0	17.5		
	17.0	17.5	18.0		
	17.5	18.0			
22"	18.0				
	16.0	16.0	16.0	18.5	19.0
	16.5	16.5	16.5	19.0	
	17.0	17.0	17.0		
	17.5	17.5	17.5		
	18.0	18.0	18.0		
24"	18.5	18.5	18.5		
	19.0	19.0	19.0		
	17.00	17.0	17.0	18.5	18.0
	17.50	17.5	17.5	19.0	19.0
	18.00	18.0	18.0	19.5	19.5
	18.50	18.5	18.5	20.0	
25"	19.00	19.0	19.0		
	19.50	19.5	19.5		
	20.0	20.0	20.0		
	17.00	17.0	17.0	18.5	19.0
	17.50	17.5	17.5	19.0	19.5
	18.00	18.0	18.0	19.5	
26"	18.50	18.5	18.5	20.0	
	19.00	19.0	19.0	20.5	
	19.50	19.5	19.5	20.0	
	20.0	20.0	20.0		
	18.00	18.0	18.0	18.5	18.0
	18.50	18.5	18.5	19.0	19.5

### CASTERS

- 065CW3 4" Low Profile Polyurethane NC
- 065CW31 4" Micro Lighted \$70.00
- 065CW72 4" x 1" Aluminum Polyurethane \$80.00
- 065CW44 4" x 1.25" Semi Pneumatic \$55.00
- 065CW64 4" x 1.5" Aluminum Soft Roll \$135.00
- 065CW5 5" Low Profile Polyurethane NC
- 065CW51 5" Micro Lighted \$85.00
- 065CW65 5" x 1" Aluminum Polyurethane \$100.00
- 065CW7 5" x 1.5" Semi Pneumatic \$85.00
- 065CW54 5" x 1.5" Soft Roll Grey \$85.00  
NA w/ Frog Legs
- 065CW66 5" x 1.5" Aluminum Soft Rolls \$145.00
- 065CW34 6" Polyurethane NC
- 065CW33 E2214 6" Pneumatic \$75.00  
E2215
- 065CW35 6" x 1.5" Semi-Pneumatic \$85.00
- 065CW68 6" x 1.5" Aluminum Soft Rolls \$160.00
- 065CW16 7" Polyurethane NC
- 065CW32 8" Polyurethane NC
- 065CW21 E2214 8" Pneumatic \$75.00  
E2215
- 065CW39 8" x 1.5" Semi - Pneumatic \$85.00
- 065CW36 E2214 8" x 2" Pneumatic \$145.00  
E2215
- 065CW37 E2217 8" x 2" Pneumatic w/Airless Insert \$225.00  
E2214
- 065CW38 Omit Caster Wheels NC

**CASTER OPTIONS**

<input type="checkbox"/>	065CS3	K0073	Caster Pin Locks NA w/ 8" x 2" caster	\$195.00
--------------------------	--------	-------	--	----------

**HANGER**

<input type="checkbox"/>	065H85		60° Swing In/Out Hanger	NC
<input type="checkbox"/>	065H86		70° Swing IN/Out Hanger	NC
<input type="checkbox"/>	065H91		90° Swing In/Out Hanger NA w/ 8" casters Pull-to-lock wheel locks recommended	NC
<input type="checkbox"/>	065H24	K0053	Articulating (15"-20" W) NA w/ high-push wheel locks	\$350.00
<input type="checkbox"/>	065H14	E0990	Elevating (14 -20" W) Pull-to-lock wheel locks recommended Only available with aluminum and angle adjustable footplates	\$295.00
<input type="checkbox"/>	065A500		Velcro Gel Cover for Hanger/Frame	\$105.00
<input type="checkbox"/>	065H32		Omit Hanger	-\$15.00

**EXTENSION TUBE**

<input type="checkbox"/>	065E1		Short (See Matrix for Lengths) NA w/ 90° hangers and ELR	NC
<input type="checkbox"/>	065E2		Medium (See Matrix for Length)	NC
<input type="checkbox"/>	065E5		Long (See Matrix for Length) NA w/ 90° hangers and ELR	NC
<input type="checkbox"/>	065E14		Regular ELR	NC
<input type="checkbox"/>	065E15		Long ELR	NC
<input type="checkbox"/>	065E16	K0037	High Mount Only available with kids and angle adj footplates Only available with 60° or 70° degree hanger	\$55.00

**FOOTREST OPTIONS**

<input type="checkbox"/>	065HL4		Omit Heel Loop	NC
<input type="checkbox"/>	065HL6		Omit Leg Strap	NC

**FOOTPLATE**

<input type="checkbox"/>	065F1	E0951	Composite w/Heel Loops 14"-20" W Only available with 60° or 70° hangers and ALR	NC
<input type="checkbox"/>	065F48	K0040	Platform Flip w/Leg Straps, 14"-20"W K0038 Only available with 60° or 70° hangers	\$190.00
<input type="checkbox"/>	065F5		Aluminum	NC
<input type="checkbox"/>	065F3	K0040	Adult Angle Adj. w/Heel Loops E0951 NA w/ ELR	\$185.00
<input type="checkbox"/>	065F4	K0040	Kids Angle Adj. w/Leg Straps K0038 NA w/ ELR Only available on 12"-16" frame widths.	\$175.00
<input type="checkbox"/>	065F7		Omit Footplate & Extension Tube	-\$15.00

**SEAT SLING TO TOP OF FOOTREST**

60° Swing- Away	Short Ext.	11 <sup>1/2</sup> - 15 <sup>1/4</sup>
60° Swing- Away	Medium Ext.	14 - 17 <sup>3/4</sup>
60° Swing- Away	Long Ext.	16 <sup>1/2</sup> - 20 <sup>1/4</sup>
60° Platform Flip-Up	Short Ext.	11 <sup>1/2</sup> - 15 <sup>7/8</sup>
60° Platform Flip-Up	Medium Ext.	14 - 18
60° Platform Flip-Up	Long Ext.	16 <sup>1/2</sup> - 20 <sup>1/2</sup>
70° Swing- Away	Short Ext.	11 <sup>1/2</sup> - 15 <sup>1/4</sup>
70° Swing- Away	Medium Ext.	14 - 17 <sup>3/4</sup>
70° Swing- Away	Long Ext.	16 <sup>1/2</sup> - 20 <sup>1/4</sup>
70° Platform Flip-Up	Short Ext.	11 <sup>1/8</sup> - 14 <sup>7/8</sup>
70° Platform Flip-Up	Medium Ext.	15 <sup>3/4</sup> - 18 <sup>1/2</sup>
70° Platform Flip-Up	Long Ext.	17 <sup>3/4</sup> - 20 <sup>1/2</sup>

\*All adjustment ranges may vary due to seat height restrictions. Recommended 2<sup>1/2</sup>" footrest clearance to ground surface.

**REAR WHEEL**

Contact Built 4 Me for Spinerger color options

<input type="checkbox"/>	065RW3		20" Mag Wheel	NC
<input type="checkbox"/>	065RW8		22" Mag Wheel	NC
<input type="checkbox"/>	065RW1		24" Mag Wheel	NC
<input type="checkbox"/>	065RW4		20" Spoke Wheel	\$200.00
<input type="checkbox"/>	065RW9		22" Spoke Wheel	\$200.00
<input type="checkbox"/>	065RW2		24" Spoke Wheel	NC
<input type="checkbox"/>	065RW11		26" Spoke Wheel	\$65.00
<input type="checkbox"/>	065RW28		22" Spinerger SPOX Black	\$695.00
<input type="checkbox"/>	065RW95		24" Spinerger SPOX Black	\$695.00
<input type="checkbox"/>	065RW96		25" Spinerger SPOX Black	\$695.00
<input type="checkbox"/>	065RW97		26" Spinerger SPOX Black	\$695.00
<input type="checkbox"/>	065RW32		22" Spinerger LX Black	\$895.00
<input type="checkbox"/>	065RW98		24" Spinerger LX Black	\$895.00
<input type="checkbox"/>	065RW99		25" Spinerger LX Black	\$895.00
<input type="checkbox"/>	065RW50		24" Mountain	\$250.00
<input type="checkbox"/>	065RW25		Omit Rear Wheels (setup size )	-\$55.00

**Rear Tire & Wheel Matrix Quickie LXI Rev U**

	Wheel	Mags	Spoke	Spinger SPOX & LX	Mountain Wheels
Pneumatic		20, 22, 24	20, 22, 24, 25, 26	22, 24, 25, 26	
Pneumatic Airless Insert		20, 22, 24	20, 22, 24, 25, 26	22, 24, 25, 26	
Mountain Tire					24
Schwalbe Marathon Plus Evol			22, 24, 25, 26	22, 24, 25, 26	
Kik® Mako Black		24	24, 25	24, 25	
Knobby V-TRAK by Kenda			24, 25	24, 25	
Full Poly Tire		20, 22, 24	20, 22, 24	22, 24	
22" = 489 24" = 540 25" = 559 26" = 590					

**REAR WHEEL TIRE**

See availability matrix.

<input type="checkbox"/>	065RT1	E2211/E2212	Pneumatic	NC
<input type="checkbox"/>	065RT2	E2211/E2213	Pneumatic Airless Insert	\$80.00
<input type="checkbox"/>	065RT3	E2218	Full Poly	NC
<input type="checkbox"/>	065RT6	E2211/E2212	High-Pressure Clincher	\$95.00
<input type="checkbox"/>	065RT21	E2211/E2212	Schwalbe Marathon Plus Evolution	\$125.00
<input type="checkbox"/>	065RT22	E2218	Kik® Mako Black	\$95.00
<input type="checkbox"/>	065RT12	E2211/E2212	Mountain	\$95.00
<input type="checkbox"/>			Omit Tire	-\$15.00

**HANDRIM**

All Natural Fit Handrims available in 22, 24, and 25 sizes

<input type="checkbox"/>	065HR1		Aluminum Anodized	NC
<input type="checkbox"/>	065HR4		Plastic Coated	\$95.00
<input type="checkbox"/>	065HR22		Natural Fit Standard Grip	\$375.00
<input type="checkbox"/>	065HR23		Natural Fit Super Grip	\$395.00
<input type="checkbox"/>	065HR30		Natural Fit LT Standard Grip	\$375.00
<input type="checkbox"/>	065HR31		Natural Fit LT Super Grip	\$395.00
<input type="checkbox"/>	065HR7		Omit Hand Rims	NC

**PROJECTION HANDRIM**

Only available with aluminum handrims. NA w/ Kik tires

<input type="checkbox"/>	065HR8	E0967	8 Oblique	\$240.00
--------------------------	--------	-------	-----------	----------

**AXLE**

<input type="checkbox"/>	065AX19		Threaded	NC
<input type="checkbox"/>	065AX3		Quick Release	NC
<input type="checkbox"/>	065AX13		Quad Quick Release	\$185.00

**ONE-ARM DRIVE**

Only available with Mag Wheels

<input type="checkbox"/> 065AL16	E0958 One Arm Drive Adjustable	\$850.00
<input type="checkbox"/> 065AO2	Standard Handrim	NC
<input type="checkbox"/> 065HM2	Left Hand Mount	NC
<input type="checkbox"/> 065HM1	Right Hand Mount	NC

**BACKREST OPTIONS**

To order Angle-Adjustable Backrest please complete the next section

<input type="checkbox"/> 065BU16	Reinforced Back	\$30.00
<i>Only available with the Standard upholstery</i>		
<input type="checkbox"/>	Jay J3 Back	Price List
<input type="checkbox"/> 065SZ1	Stablizer Bar	\$105.00

**ANGLE-ADJUSTABLE BACKREST**

<input type="checkbox"/> 065BT20	<b>Angle Adjustable Regular Pivot</b>	\$165.00
<i>Standard with Push Handles.</i>		
<i>NA with Flip Back or Flip Back Height Adj. Armrests</i>		
<input type="checkbox"/> 065AH1	Angle Adjustable Pivot 3"	NC
<input type="checkbox"/> 065AH2	Angle Adjustable Pivot 4"	NC
<input type="checkbox"/> 065AH3	Angle Adjustable Pivot 5"	NC
<input type="checkbox"/> 065BT22	<b>Angle Adjustable Tall Pivot</b>	\$165.00
<i>Standard with Push Handles.</i>		
<i>NA with Flip Back or Flip Back Height Adj. Armrests</i>		
<input type="checkbox"/> 065AH3	Angle Adjustable Pivot 5"	NC
<input type="checkbox"/> 065AH4	Angle Adjustable Pivot 6"	NC
<input type="checkbox"/> 065AH5	Angle Adjustable Pivot 7"	NC
<b>Optional Pre-Set Angle</b>		
<input type="checkbox"/> 065BD5	Back Angle - 15°	NC
<input type="checkbox"/> 065BD4	Back Angle - 12°	NC
<input type="checkbox"/> 065BD3	Back Angle - 6°	NC
<input type="checkbox"/> 065BD2	Back Angle - 0°	NC
<input type="checkbox"/> 065BD1	Back Angle +3°	NC
<b>Back Tube Height (See Chart)</b>		
<input type="checkbox"/> 065B1	Low	NC
<input type="checkbox"/> 065B5	Medium	NC
<input type="checkbox"/> 065B9	Tall	NC
<b>Optional Back Height</b>		
<input type="checkbox"/> 065UX10	12"	NC
<input type="checkbox"/> 065UX12	13"	NC
<input type="checkbox"/> 065UX14	14"	NC
<input type="checkbox"/> 065UX16	15"	NC
<input type="checkbox"/> 065UX18	16"	NC
<input type="checkbox"/> 065UX20	17"	NC
<input type="checkbox"/> 065UX22	18"	NC
<input type="checkbox"/> 065UX24	19"	NC
<input type="checkbox"/> 065UX26	20"	NC
<input type="checkbox"/> 065UX28	21"	NC

**BACK TYPE**

<input type="checkbox"/> 065BU1	Standard	NC
---------------------------------	----------	----

**BACK UPHOLSTERY TYPE**

<input type="checkbox"/> 065BU1	Standard	NC
<input type="checkbox"/> 065BU60	Tension Adjustable Upholstery	\$175.00
<input type="checkbox"/> 065BU14	Omit Back Upholstery	-\$15.00

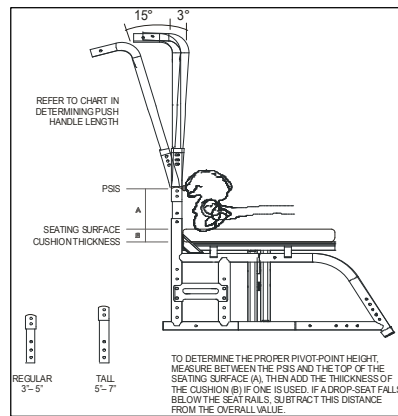
**PUSH HANDLES**

<input type="checkbox"/> 065BP1	Push Handle Straight	NC
<input type="checkbox"/> 065BP3	Push Handle 8° (Std)	\$25.00

**BACK HEIGHT**

<input type="checkbox"/> 065B92	16" - 19"	NC
<input type="checkbox"/> 065B86	14" - 17"	\$50.00

**ANGLE-ADJUSTABLE BACKREST SET-UP MATRIX**



**ARMREST**

<input type="checkbox"/> 065AA5	Flip-Back	NC
<input type="checkbox"/> 065AA6	E0973 Flip-Back Height Adjustable	\$275.00
<input type="checkbox"/> 065AA8	E0973 Single Post Ht. Adjustable Std	\$260.00
<input type="checkbox"/> 065AA9	E0973 Single Post Ht. Adjustable Low	\$260.00
<input type="checkbox"/> 065AA16	E0973 Padded Swing-Away Adult	\$175.00
<input type="checkbox"/> 065AA17	E0973 Padded Swing-Away Kids	\$175.00
<input type="checkbox"/> 065A994	Gel Cover for Padded Swing Away	\$105.00
<input type="checkbox"/> 065AA14	Omit Armrest	NC

**ARMPAD**

NA with padded swing-away armrests.

<input type="checkbox"/> 065AM1	Desk Length (10")	NC
<input type="checkbox"/> 065AM2	Full Length (14")	NC

**WHEEL LOCK**

Additional No Gos may exist depending on wheel size, seat depth and axle position

<input type="checkbox"/> 065WL1	High Mount Push	NC
<input type="checkbox"/> 065WL2	High Mount Pull	NC
<input type="checkbox"/> 065WL10	Omit Wheel Lock	NC
<input type="checkbox"/> 065WL30	Compact Wheel Lock	\$125.00
<input type="checkbox"/> 065WL12	Do not mount	NC

**GRADE AIDS**

<input type="checkbox"/> 065GA1	E0974 Grade Aid	\$150.00
---------------------------------	-----------------	----------

**REAR ANTI-TIP TUBES**

<input type="checkbox"/> 065AT4	E0971 Rear Anti-Tip Tubes	\$135.00
---------------------------------	---------------------------	----------

**EXTENSION HANDLE**

<input type="checkbox"/> 065EH1	E0961 6" Pair	\$75.00
---------------------------------	---------------	---------

**CUSHION**

To order any of the following JAY cushions on-chair, please see the on-chair order form.

<input type="checkbox"/> 065JC01	Jay Basic (E2601 or E2602)	Price List
<input type="checkbox"/> 065JC02	Jay Easy (E2607 or E2608)	Price List
<input type="checkbox"/> 065JC03	Jay Soft Combi P (E2605 or E2608)	Price List
<input type="checkbox"/> 065JC06	Jay Lite (E2603 or E2607)	Price List
<input type="checkbox"/> 065JC04	Jay J2 (K0734 or K0735)	Price List
<input type="checkbox"/> 065JC05	Jay J2 Deep Contour (K0734 or K0735)	Price List
<input type="checkbox"/> 065JC07	Jay J3 (K0734/5 or K0736/7)	Price List
<input type="checkbox"/> 065CU1	K0669 2" Cushion	\$95.00
<input type="checkbox"/> 065CU4	Omit Seat Sling	-\$15.00

**ACCESSORIES**

<input type="checkbox"/>	065A1	Black Utility Backpack	\$55.00
<input type="checkbox"/>	065A2	Black/Charcoal Kids	\$50.00
<input type="checkbox"/>	065A8	Seat Pouch Black	\$45.00
<input type="checkbox"/>	065IG2	Neoprene Impact guard	\$85.00
<input type="checkbox"/>	065A49	E2207 Crutch Holder	\$195.00
<input type="checkbox"/>	065A82	Caddy	\$45.00
<input type="checkbox"/>	065A83	Tool Kit	\$45.00
<input type="checkbox"/>	065A54	K0038 Extra Leg Strap Black	\$30.00
<input type="checkbox"/>	065A29	E0950 Tray Table	\$250.00
<input type="checkbox"/>	065A23	K0065 Black Spoke Guards	\$115.00
<input type="checkbox"/>	065A24	K0065 Quickie "Q" Clear Spoke Guards	\$115.00

**MILITARY SERVICE PATCHES**

Patch prices are in addition to price for upholstery selection

<input type="checkbox"/>	065VU5	Purple Heart Patch Only	\$90.00
<input type="checkbox"/>	065VU6	Service Patch Only	\$90.00
<input type="checkbox"/>	065VU7	Purple Heart and Service Patch	\$85.00
<input type="checkbox"/>	065VU1	Marines Corp	\$90.00
<input type="checkbox"/>	065VU2	Army	\$90.00
<input type="checkbox"/>	065VU3	Navy	\$90.00
<input type="checkbox"/>	065VU4	Air Force	\$90.00

**POSITIONING BELTS AND SIDEGUARDS**

<input type="checkbox"/>	065A141	E0978 1.5" Auto Buckle	\$70.00
<input type="checkbox"/>	065A12	E0978 2" Aircraft Buckle	\$110.00
<input type="checkbox"/>	065A13	E0978 2" Aircraft Buckle Padded	\$120.00
<input type="checkbox"/>	065SG4	K0108 Plastic Kids	\$125.00
<input type="checkbox"/>	065SG3	K0108 Plastic Regular	\$125.00

**FRAME COLOR**

<input type="checkbox"/>	065C2	Black	NC
<input type="checkbox"/>	065C10	Black Opal	NC
<input type="checkbox"/>	065C38	Blue Opal	NC
<input type="checkbox"/>	065C36	Candy Blue	NC
<input type="checkbox"/>	065C35	Candy Red	NC
<input type="checkbox"/>	065C128	Copper	NC
<input type="checkbox"/>	065C6	Forest Green	NC
<input type="checkbox"/>	065C127	Fuchsia	NC
<input type="checkbox"/>	065C126	Glow	NC
<input type="checkbox"/>	065C4	Midnight Purple	NC
<input type="checkbox"/>	065C5	Pearl Pink	NC
<input type="checkbox"/>	065C103	Rootbeer	NC
<input type="checkbox"/>	065C114	Sparkle Silver	NC
<input type="checkbox"/>	065C113	Titanium Color Paint	NC
<input type="checkbox"/>	065C11	Toxic Green	NC
<input type="checkbox"/>	065C8	Yellow	NC

**CUSTOM FRAME COLOR**

<input type="checkbox"/>	065C112	Desert Camouflage	\$295.00
<input type="checkbox"/>	065C43	Mossy Oak Camouflage	\$295.00
<input type="checkbox"/>	065C42	Stars & Stripes	\$295.00
<input type="checkbox"/>	065C108	Zebra (Choose above base color)	\$295.00

Std with White unless above base paint is chosen

NA with Black.